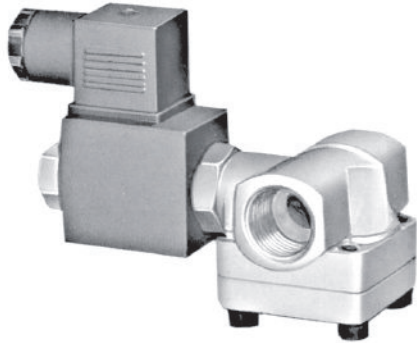


09 系列二位三通电磁阀

Series 2/2-way membrane Solenoid Valves



图形符号 Graphical symbols



产品特点 Features

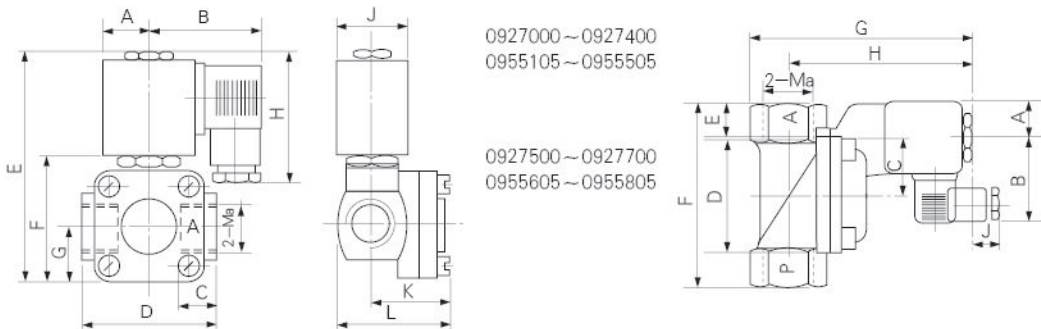
可使用中性、弱酸、弱碱性的水、油、气体及蒸汽等工作介质。

The valves can be used in working medium such as water, oil, gas or steam of either neutral weak acid or weak alkaline in nature.

技术参数 Specification

型号 Type		口径 Dia (mm)	接管螺纹 port size	配用电磁线圈 Solenoid	工作压力 Working pressure (MPa)	Kv值 Kv valve (m³/h)	切换频率 Switch over frequency (Hz)
常闭型 Normal closed	常开型 Normal open						
0927000	0955105	8	G1/4	0200	0.07-1.00	1.15	≥0.5
0927100	0955205	10	G3/8				
0927200	0955305	12	G1/2				
0927300	0955405	20	G3/4	0201		5.10	
0927400	0955505	25	G1			5.35	
0927500	0955605	32	G1¼	0270		0.10-1.50	
0927600	0955705	40	G1½	0271	25.0		
0927700	0955805	50	G2		43.0		

外形尺寸 Outlook & Dimension



型号 Type	Ma	A	B	C	D	E	F	G	H	J	K	L						
0927000	0955105	18	50	12	55	101	55	22	60	30	33.5	47						
0927100	0955205			14														
0927200	0955305			16									81					
0927300	0955405			18									91	118	72	30	45.5	63.5
0927400	0955505			18									91	118	72	30	45.5	66
0927500	0955605	18	50	47	96	18	132	169	135.5	18	-	-						
0927600	0955705			55														
0927700	0955805			55									112	20	160	188	147.5	