

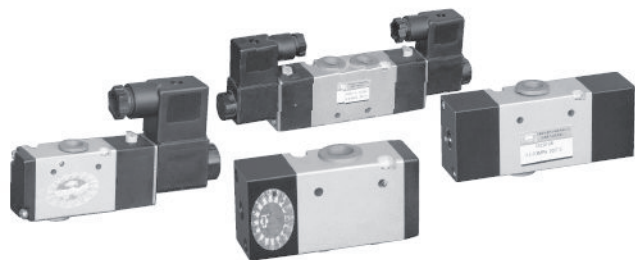
# 100/200/300/400

## 系列电磁阀,气控阀 Series Solenoid Valve, Pneumatic Control Valve

### 200 Series

# 200 系列电磁阀, 气控阀

## series solenoid valve, pneumatic control valve



### 图形符号 Graphical symbols

### 产品特点 Features

采用内部先导式, 结构紧凑, 安装方便, 寿命长, 被广泛应用于冶金、化工、医药等行业。

Pilot inside, compact structure, easy installation, long performance life, widely used in chemical engineering, textile and mining industries.

### 型号注释 Note for type

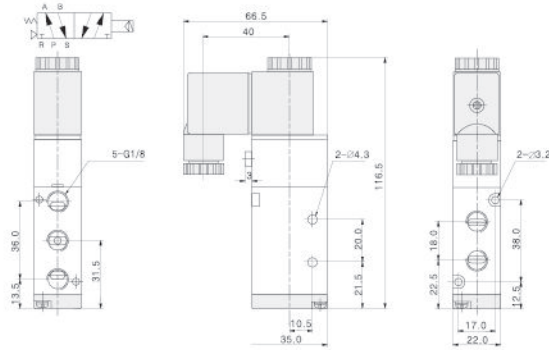
|           |          |           |           |          |               |          |   |   |  |
|-----------|----------|-----------|-----------|----------|---------------|----------|---|---|--|
| <b>4V</b> | <b>2</b> | <b>10</b> | <b>08</b> | <b>B</b> | <b>AC220V</b> | <b>W</b> | 规格代码:<br>Specification                                | 4V: 二(三)位五通电磁阀<br>4A: 二(三)位五通气控阀<br>3V: 二位三通电磁阀<br>3A: 二位三通气控阀            | 5/2(3)-way solenoid valve<br>5/2(3)-way pneumatic control valve<br>3/2-way solenoid valve<br>3/2-way pneumatic control valve   |
|           |          |           |           |          |               |          | 系列代码Series Code:                                      | 200系列   | 200 Series   |
|           |          |           |           |          |               |          | 线圈及位数<br>Coil and Places                              | 10: 单头双位置<br>20: 双头双位置<br>30C: 双头三位置封闭型<br>30E: 双头三位置排气型<br>30P: 双头三位置压力型 | Single head double position<br>Double head double position<br>Double head 3 position close type<br>Double head 3 position Exhaust type<br>Double head 3 position pressure type |
|           |          |           |           |          |               |          | 接管口径 Joint Pipe Bore:                                 | 06: 1/8" 08: 1/4"   |  |
|           |          |           |           |          |               |          | 接管形式及初始<br>状态<br>Joint Pipe form and<br>Initial State | 空白: 管接式<br>B: 二(三)位五通板接式<br>NC: 二位三通常闭型<br>NO: 二位三通常开型                    | Coil and Places<br>5/2(3)-way plate connection type<br>3/2-way normal close type<br>3/2-way normal open type   |
|           |          |           |           |          |               |          | 标准电压<br>Standard Voltage:                             | DC12V, DC24V; AC24V, 110V, 220V, 380V 50Hz/60Hz                           |  |
|           |          |           |           |          |               |          | 接线形式<br>Wiring Form                                   | 空白: 标准端子式<br>LD: 棕色带灯端子式<br>LD: 白色带灯端子式<br>W: 引线式                         | Blank: standard connector<br>Brown with lighting connector<br>White with lighting connector<br>Lead wire type  |

### 技术参数 Specification

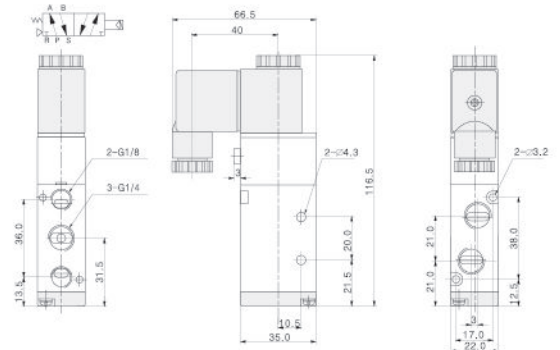
| 型号Model   | 3V210(220)-06<br>3A210(220)-06                   | 4V210(220)-06<br>4A210(220)-06 | 4V230(C)(E)(P)-06<br>4A230(C)(E)(P)-06 | 3V210(220)-08<br>3A210(220)-08                                  | 4V210(220)-08<br>4A210(220)-08 | 4V230(C)(E)(P)-08<br>4A230(C)(E)(P)-08 |
|---|--|--------------------------------|--|---|--------------------------------|--|
| 位置数<br>Position Number                            | 二位三通<br>3/2-way                                  | 二位五通<br>5/2-way                | 三位五通<br>5/3-way                        | 二位三通<br>3/2-way   | 二位五通<br>5/2-way                | 三位五通<br>5/3-way                        |
| 有效截面积 Effective Sectional Area (mm <sup>2</sup> ) | 14<br>(CV=0.78)                                  |                                | 12<br>(CV=0.67)                        | 16<br>(CV=0.89)   |                                | 12<br>(CV=0.67)                        |
| 接管口径 Joint Pipe Bore                              | 进气=排气=1/8"<br>Air inlet=Air Outlet=Exhaust=G1/8" |                                |  | 进气=排气=1/4" 排气=G1/8"<br>Air inlet=Air Outlet=G1/4" Exhaust=G1/8" |                                |  |
| 工作介质 Working Medium                               | 经40微米过滤的空气/40 Micron Filtered Air                |                                |  |   |                                |  |
| 动作方式 Motion pattern                               | 内部先导式 / Inner Guide Type                         |                                |  |   |                                |  |
| 使用压力 Working pressure (MPa)                       | 0.15-0.8   |                                |  |   |                                |  |
| 最大耐压力 Max. Pressure Resistance (MPa)              | 1.2  |                                |  |   |                                |  |
| 工作温度 Operating Temperature                        | 5-50   |                                |  |   |                                |  |
| 电压范围 Voltage Range                                | ±10%   |                                |  |   |                                |  |
| 耗电量 Power Consumption                             | AC: 5.5VA DC: 4.8W                               |                                |  |   |                                |  |
| 绝缘性及防护等级 Insulation & Protection Class            | F级: IP65 / F Class: IP65                         |                                |  |   |                                |  |
| 接线形式 Wiring Form                                  | 出线式或端子式 / Lead Wire or Connector type            |                                |  |   |                                |  |
| 最高动作频率 Highest Action Frequency (Hz)              | 每秒五次 / 5 Cycle / Sec                             |                                |  |   |                                |  |
| 最短励磁时间 Shortest Excitation Time (s)               | 0.05   |                                |  |   |                                |  |

外形尺寸 Outlook & Dimension

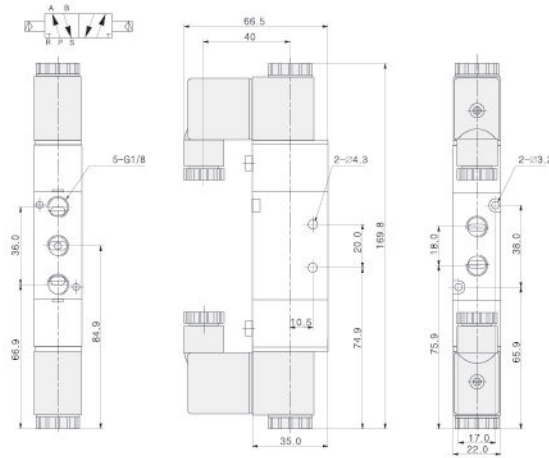
4V210-06



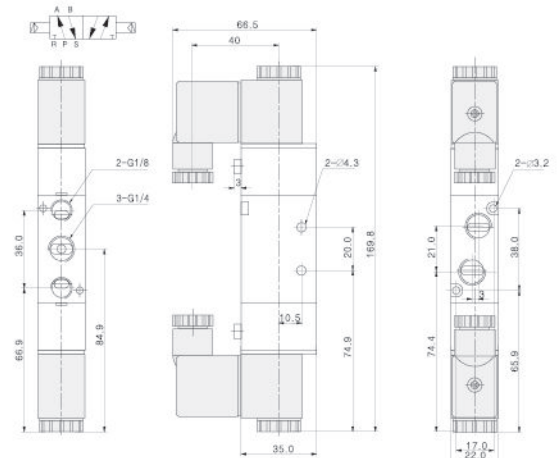
4V210-08



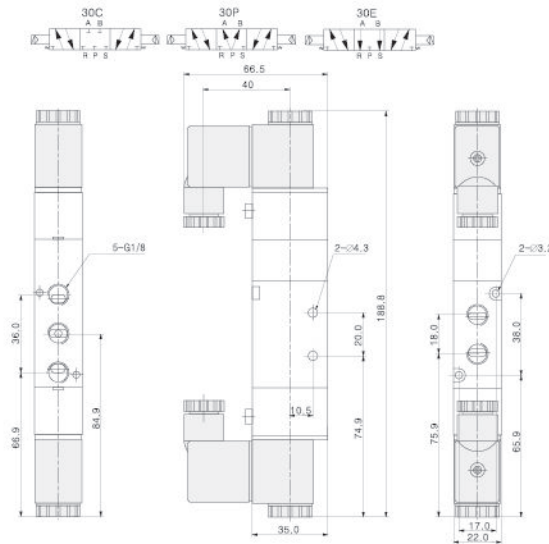
4V220-06



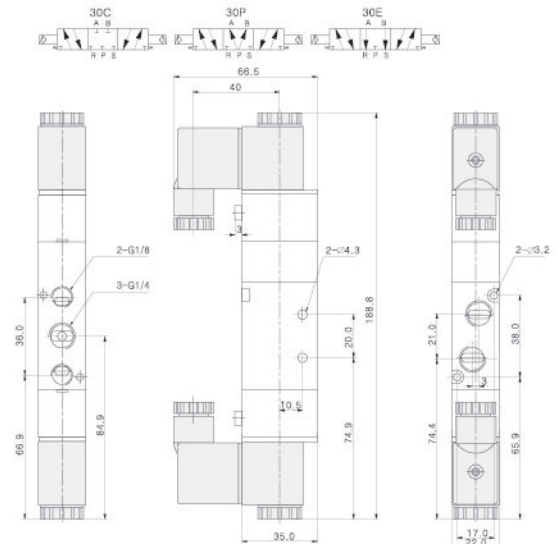
4V220-08



4V230-06



4V230-08



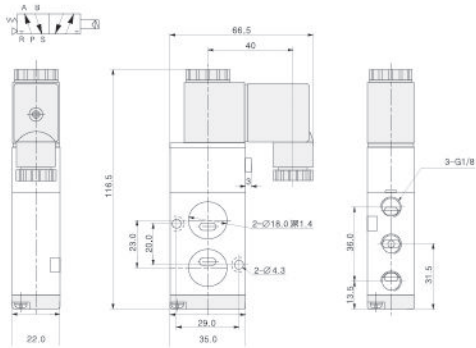
# 100/200/300/400

## 系列电磁阀, 气控阀 Series Solenoid Valve, Pneumatic Control Valve

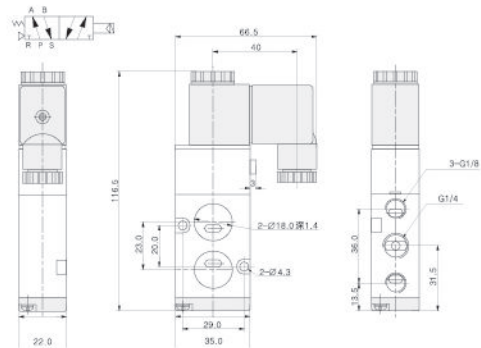
### 200 Series

#### 外形尺寸 Outlook & Dimension

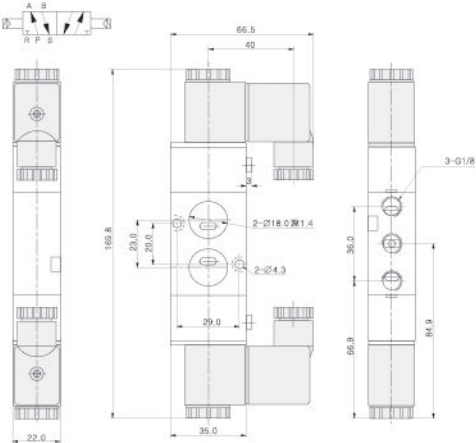
4V210-06B



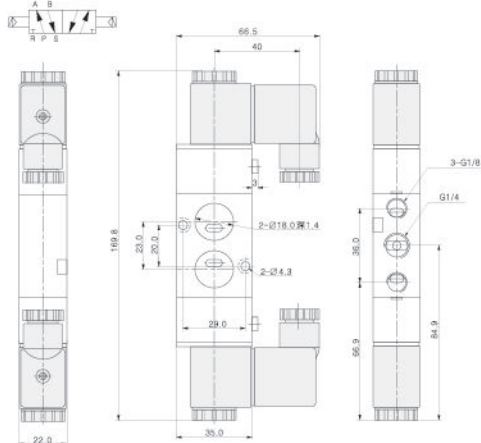
4V210-08B



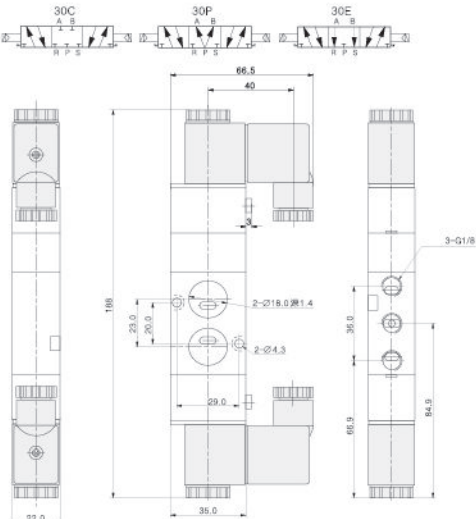
4V220-06B



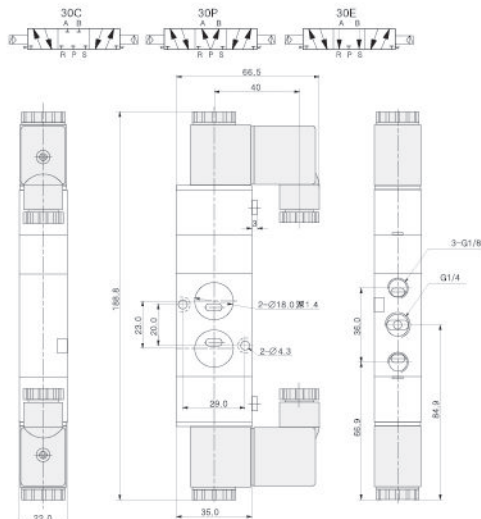
4V220-08B



4V230-06B

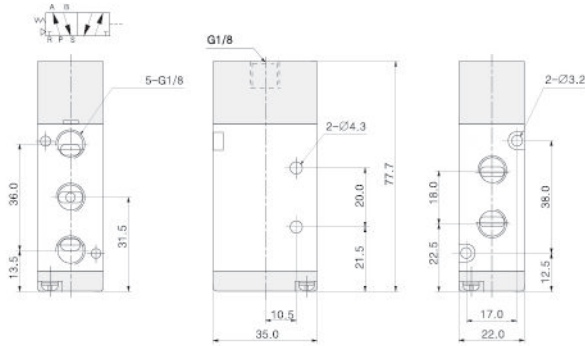


4V230-08B

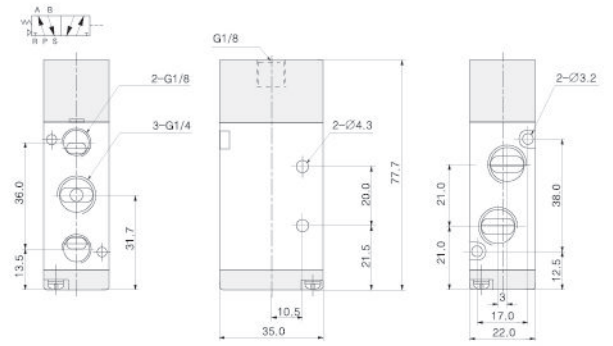


外形尺寸 Outlook & Dimension

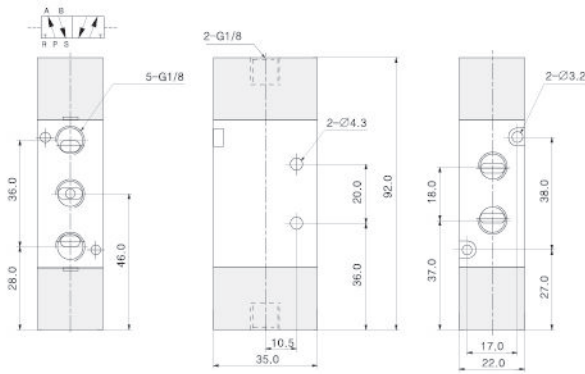
4A210-06



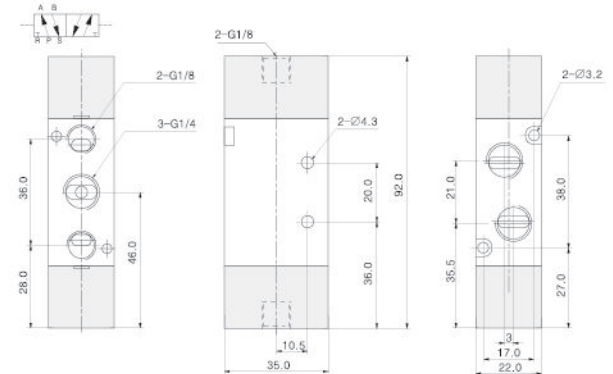
4A210-08



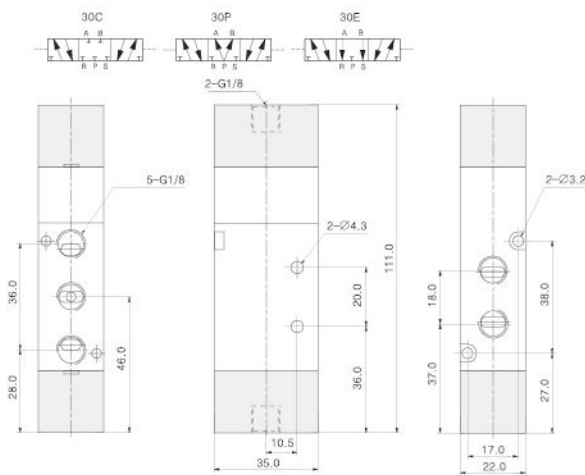
4A220-06



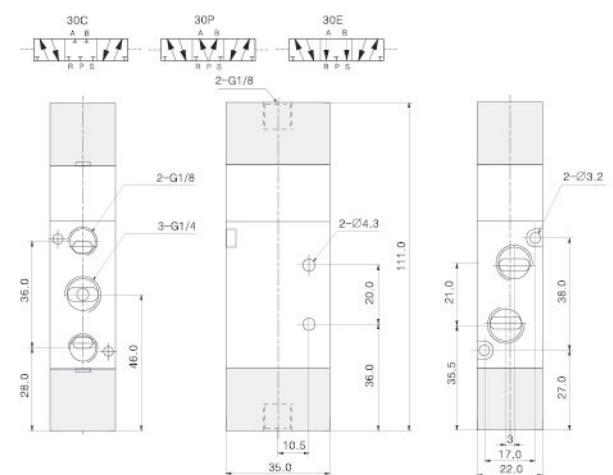
4A220-08



4A230-06



4A230-08



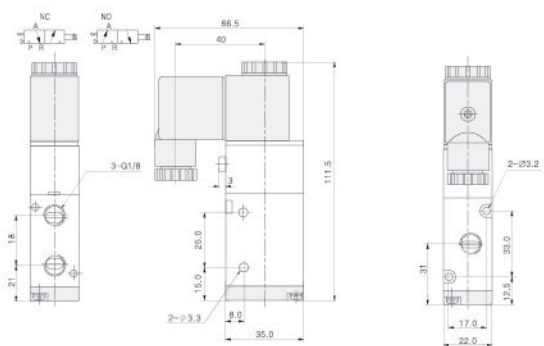
# 100/200/300/400

# 系列电磁阀, 气控阀 Series Solenoid Valve, Pneumatic Control Valve

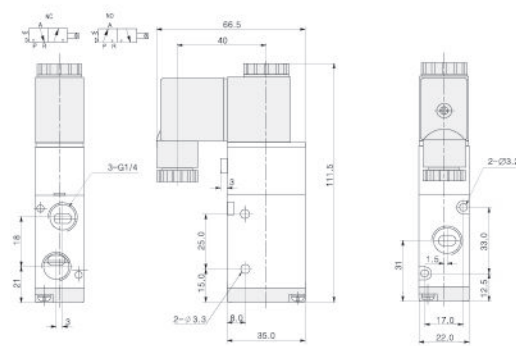
## 200 Series

### 外形尺寸 Outlook & Dimension

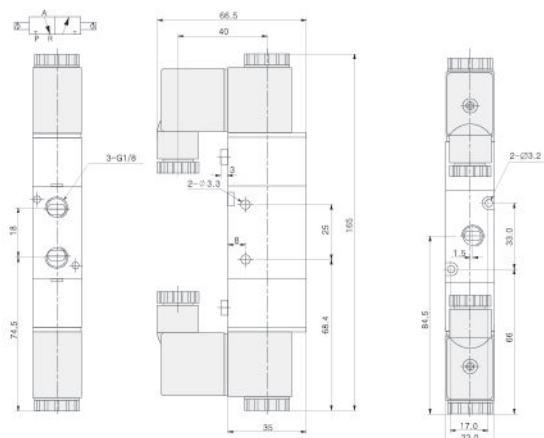
3V210-06



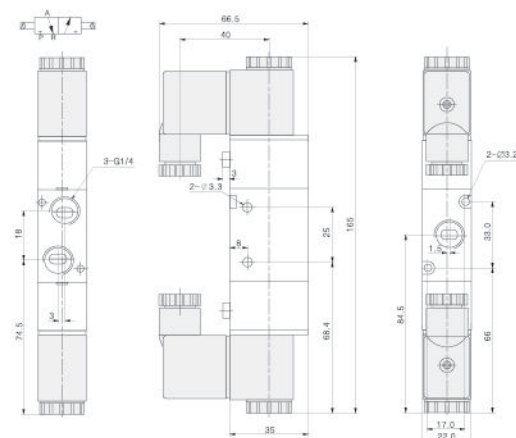
3V210-08



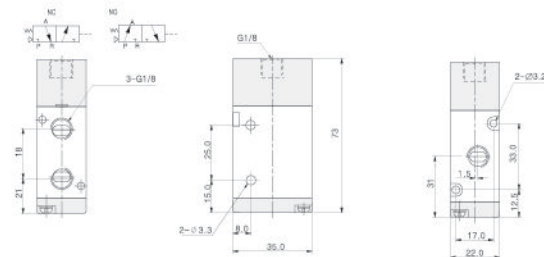
3V220-06



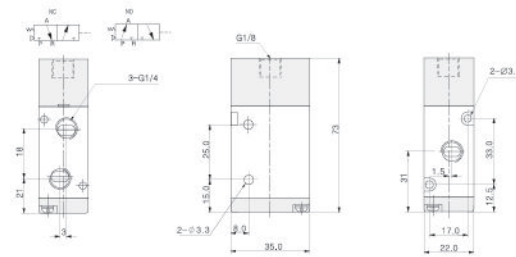
3V220-08



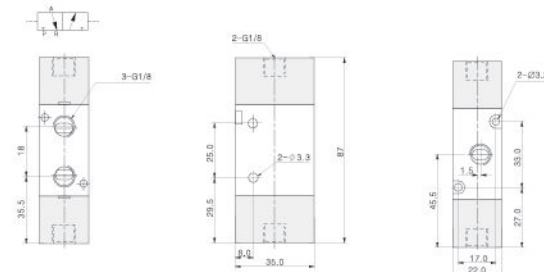
3A210-06



3A210-08



3A220-06



3A220-08

