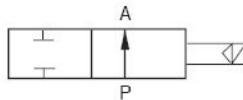


# 2L 系列二位二通电磁阀

## series 2/2-way solenoid valve

### 图形符号 Graphical symbols



### 产品特点 Features

2L系列电磁阀采用直动式和先导式二种，快速反应，可多用途使用，高效率，长寿命，优良的防水性能。

Have direct drive type and pilot type, quick feedback, multi application, long performance life, excellent waterproof.



### 型号注释 Note for type

**2L**   **170** - **15**   **AC110V**

规格代码 Specification  
2L: 二位三通电磁阀(蒸汽型) 2L: 2 position 3 way solenoid valve(Steam type)

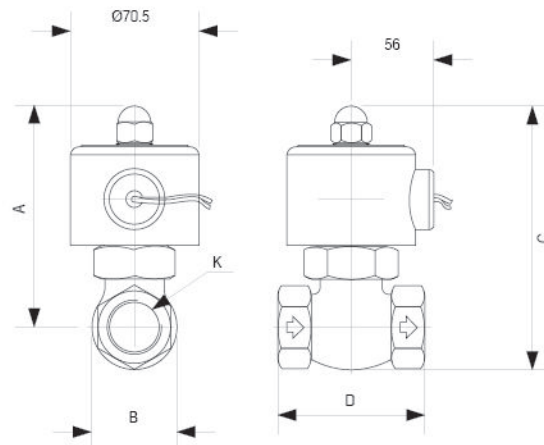
流量孔径 Aperture of Flow Rate  
170:17mm, 200:22mm, 300:30mm, 500:50mm

接管口径 Joint Pipe Bore:  
10:3/8", 15:1/2", 20:3/4", 25:1", 35:1¼", 40:1½", 50:2"

标准电压 Standard Voltage:  
DC12V, DC24V, AC24V 50Hz/60Hz, AC110V 50Hz/60Hz, AC220V 50Hz/60Hz, AC380V 50Hz/60Hz

### 外形尺寸 Outlook & Dimension

型号 / Model	A	B	C	D	K
2L170-10	125	42	146	82	G3/8
2L170-15	125	42	146	82	G1/2
2L170-20	125	42	146	82	G3/4
2L170-25	136	52	162	90.5	G1
2L170-35	148	74	185	111	G1¼
2L170-40	148	74	185	111	G1½
2L170-50	176	86	223	163	G2



### 技术参数 Specification

型号 Model	2L170-10	2L170-15	2L170-20	2L200-25	2L300-25	2L300-40	2L500-50
工作介质 Working Medium	空气、水、蒸气/Air, Water, steam						
动作方式 Motion pattern	先导式 / pilot type						
型式 Type	常闭型 / Normal Close Type						
流量孔径 Aperture of Flower Rate	17		22		30		50
CV值 CV Value	4.8		12		20		48
接管口径 Joint Pipe Bore	3/8"	1/2"	3/4"	1"	1¼"	1½"	2"
使用流体粘滞度 Operation Fluid Viscosity	20 CST以下 (Below)						
使用压力 Working pressure	0.1~1.5						
最大耐压力 Max. Pressure Resistance	2.25						
工作温度 Operatioging Temperature	-5~180						
使用电压范围 Voltage Range	±10%						
本体材质 Material of Body	黄铜 Brass						
油封材质 Material of Oil Seal	PTFE						