

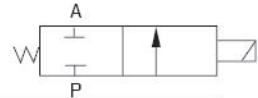
# 二位三通直动式电磁阀系列 2W

2/2-way direct drive solenoid valve Series  
2W large aperture

## 2W 大口径系列二位三通直动式电磁阀 Large Aperture Series 2/2-way Direct Drive Type Solenoid Valves



### 图形符号 Graphical symbols



### 产品特点 Features

采用膜片密封结构，动作灵敏，流量大，结构简单，维修容易，优良的防水性能。

With diaphragm seal, quick feedback, high flow, simple structure, easy of maintenance, excellent waterproof.

### 型号注释 Note for type

**2W**   **160** - **15**   **AC110V** - **V**

规格代码 2W: 二位三通电磁阀-直动式 2S: 不锈钢二位三通电磁阀-直动式	Specification 2/2- way Solenoid valve--Direct Drive Type Stainless Steel 2/2- way Solenoid valve--Direct Drive Type
流量孔径 Aperture of Flow Rate 160: 16mm, 200: 20mm, 250: 25mm, 350: 35mm, 400: 40mm, 500: 50mm	
接管口径 Joint Pipe Bore: 10: 3/8", 15: 1/2", 20: 3/4", 25: 1", 35: 1 1/4", 40: 1 1/2", 50: 2"	
标准电压 Standard Voltage: DC12V, DC24V, AC24V 50Hz/60Hz, AC110V 50Hz/60Hz, AC220V 50Hz/60Hz, AC380V 50Hz/60Hz	
油封代号 空白: NBR V: VITON(高温用)	Oil Seal Code Blank: NBR VITON(For High-temperature)

### 技术参数 Specification

型号 Model	2W160-10	2W160-15	2W200-20	2W250-25	2W350-35	2W400-40	2W500-50
	2S160-10	2S160-15	2S200-20	2S250-25	2S350-35	2S400-40	2S500-50
工作介质 Working Medium	空气、水、油 / Air, Water, Oil						
动作方式 Motion pattern	直动式 / Direct Drive Type						
型式 Type	常闭型 / Normal Close Type						
流量孔径 Aperture of Flow Rate	16	20	25	35	40	50	
CV值 CV Value	4.8	7.6	12	24	29	48	
接管口径 Joint Pipe Bore	3/8"	1/2"	3/4"	1"	1 1/4"	1 1/2"	2"
使用流体粘滞度 Operation Fluid Viscosity	20 CST以下 (Below)						
使用压力 Working pressure	空气/Air: 0~0.7, 水 / Water: 0~0.5, 油/Oil: 0~0.5						
最大耐压力 Max. Pressure Resistance	1.0						
工作温度 Operationg Temperature	-5~80						
使用电压范围 Voltage Range	± 10%						
本体材质 Material of Body	2W: 黄铜 Brass			2S: 不锈钢 Stainless Steel			
油封材质 Material of Oil Seal	NBR, EPDM 或 VITON / NBR, EPDM or VITON						

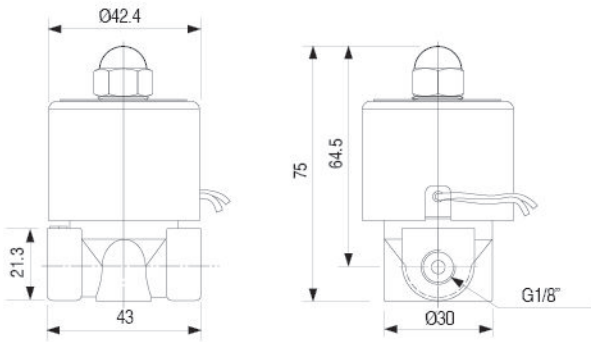
# 2W

## 系列二位二通直动式电磁阀 Series 2/2-way direct drive solenoid valve

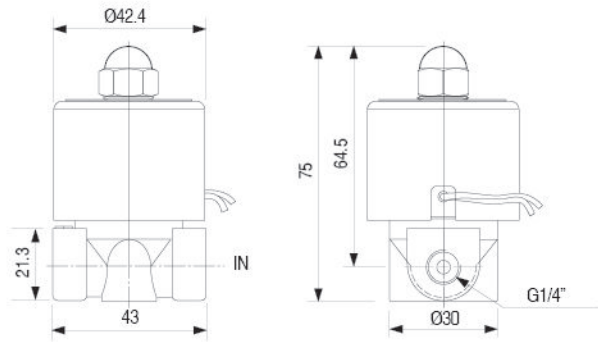
### 2W large aperture

#### 外形尺寸 Outlook & Dimension

#### 2W025-06 & 2WH012-06

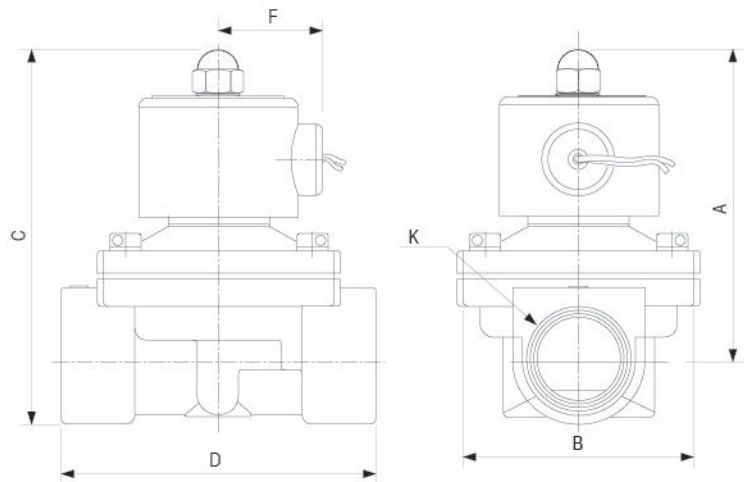
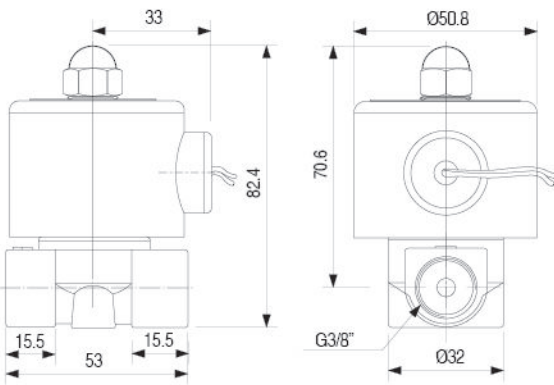


#### 2W025-08 & 2WH012-08



#### 2W040-10 & 2WH20-10

#### 大口径(Large Aperture)



型号/Type	A	B	C	D	E	F	K
2W160-10	101.5	57	117	69	50	36	G3/8
2W160-15	101.5	57	117	69	50	36	G1/2
2W160-20	107	57	123.5	73	50	36	G3/4
2W160-25	111.5	73.5	134.5	99	50	36	G1
2W160-35	142	95	172	123	70.5	56	G1½
2W160-40	142	95	172	123	70.5	56	G1½
2W160-50	172	123	209	168	70.5	56	G2