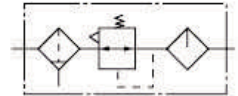


# 398 系列气源处理三联件 series Three-in-one piece for air supply treatment



### 图形符号 Graphical symbols



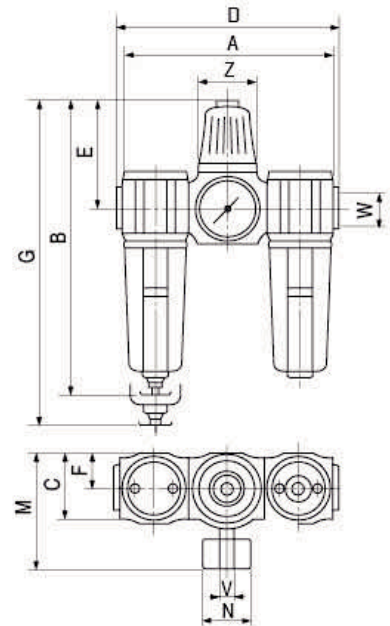
### 型号注释 Note for type



### 技术参数 Specification

最大工作压力 / Max working Pressure	1.0MPa		
工作温度 / Working tempt	5~60℃		
压力可调范围 / Adjustable range of pressure	0.05~1MPa		
分水效率 / Moisture separation effectiveness	≥80%		
流量 / Flow rate	m <sup>3</sup> /h (L/min)		
接管螺纹 Connection threads	G1/8~G1/4	G3/8~G1/2	G3/4~G1
通径 passage dia (mm)	6~8	10~15	20~25
输入压力 Pressure input P1 (MPa)	输出压力 Pressure output P2 (MPa)	当压降 $\Delta P=0.1$ MPa时流量 when pressur drop $\Delta P=0.1$ MPa, flow rate	
1.0	0.1	15 (250)	38 (630)
1.0	0.25	20 (333)	53 (880)
1.0	0.4	25 (415)	64 (1065)
1.0	0.6	30 (500)	75 (1250)

# 三联件的配管直径小一号时，最大流量约减少10%；滤芯微孔直径小一号时，流量约减少7%。  
# With pipeline to the three-in-one piece one size smaller in diameter, the flow rate reduces by approx 10%, with filter element pore dia one size smaller, flow rate reduces by 7%.



### 外形尺寸 Outlook & Dimension

型号 type	A	B	C	D	E	F	Z	G	V	N	M	重量(Kg) weight
398.213	120	177	40	128	62	20	M30 × 1.5	202	G1/4	40	70	0.970
398.223	120	177	40	120	62	20	M30 × 1.5	202	G1/4	40	70	0.960
398.253	180	252	60	188	95	30	M50 × 1.5	292	G1/4	50	95	3.000
398.263	180	252	60	180	95	30	M50 × 1.5	292	G1/4	50	95	2.940
398.283	240	310	80	252	110	40	M67 × 1.5	360	G1/4	63	120	3.910
398.293	240	310	80	240	110	40	M67 × 1.5	360	G1/4	63	120	3.860