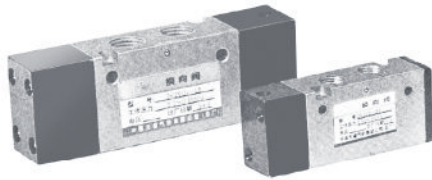


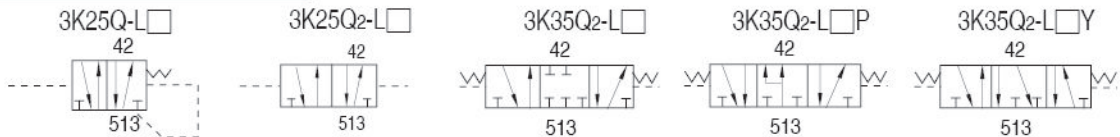
3KQ-L 管接式气控换向阀 Series Pipe Fitting Pneumatic Controlled Valves



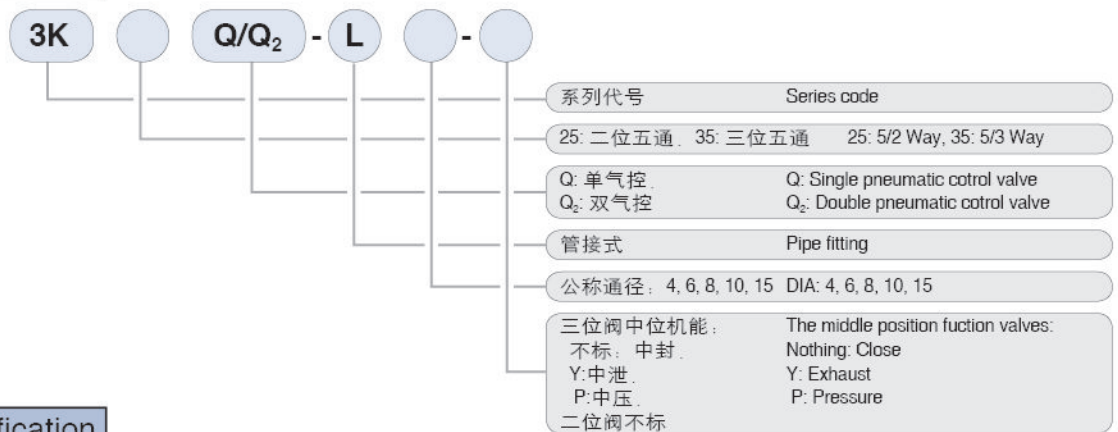
全系列共分四种规格。 口径分别Ø4, Ø6, Ø8, Ø10。 适应配套气缸缸径如下：
Four type in this series. There are Ø4, Ø6, Ø8, Ø10, capable of driving cylinders as follow:

口径 Dia(mm)	气缸缸径 bore (mm)
Ø4	Ø20 Ø25 Ø32 Ø40
Ø6	Ø40 Ø50 Ø63 Ø80
Ø8	Ø63 Ø80 Ø100
Ø10/Ø15	Ø125 Ø140 Ø160

图形符号 Graphical symbols



型号注释 Note for type



技术参数 Specification

品种 Item	项目 Term 型号 Type	配管口径 Pipe Size			先导控制口 Pilot	有效截面积 Effective Section Area (mm ²)	工作压力 Working Pressure (MPa)	先导阀输入信号 Signal in (MPa)
		进气口 Air inlet "1"	"2", "4" 口 port 2,4	排气口 Air outlet "3", "5"				
单气控 Pneumatic Control (single)	3K25Q-L4	M5	M5	M5	M5	>4	0.15~1	0.06X最大压力 Max Pressure +0.06
	3K25Q-L6	Rc1/8	Rc1/8	Rc1/8		12.5		
	3K25Q-L8	Rc1/4	Rc1/4	Rc1/4		25		
	3K25Q-L10	Rc3/8	Rc3/8	Rc3/8		>48		
双气控 Pneumatic Control (Double)	3K25Q ₂ -L4	M5	M5	M5	M5	>4	0~1	0.2~1
	3K25Q ₂ -L6	Rc1/8	Rc1/8	Rc1/8		12.5		
	3K25Q ₂ -L8	Rc1/4	Rc1/4	Rc1/4		25		
	3K25Q ₂ -L10	Rc3/8	Rc3/8	Rc3/8		>48		
三位阀中封式 3-position middle closed	3K35Q ₂ -L4	M5	M5	M5	M5	>2.5	0~1	0.2~1
	3K35Q ₂ -L6	Rc1/8	Rc1/8	Rc1/8		11		
	3K35Q ₂ -L8	Rc1/4	Rc1/4	Rc1/4		22		
	3K35Q ₂ -L10	Rc3/8	Rc3/8	Rc3/8		>40		
三位阀中压式 3-position middle pressure	3K35Q ₂ -L4P	M5	M5	M5	M5	>2.5	0~1	0.2~1
	3K35Q ₂ -L6P	Rc1/8	Rc1/8	Rc1/8		11		
	3K35Q ₂ -L8P	Rc1/4	Rc1/4	Rc1/4		22		
	3K35Q ₂ -L10P	Rc3/8	Rc3/8	Rc3/8		>40		
三位阀中封式 3-position middle exhaust	3K35Q ₂ -L4Y	M5	M5	M5	M5	>2.5	0~1	0.2~1
	3K35Q ₂ -L6Y	Rc1/8	Rc1/8	Rc1/8		11		
	3K35Q ₂ -L8Y	Rc1/4	Rc1/4	Rc1/4		22		
	3K35Q ₂ -L10Y	Rc3/8	Rc3/8	Rc3/8		>40		

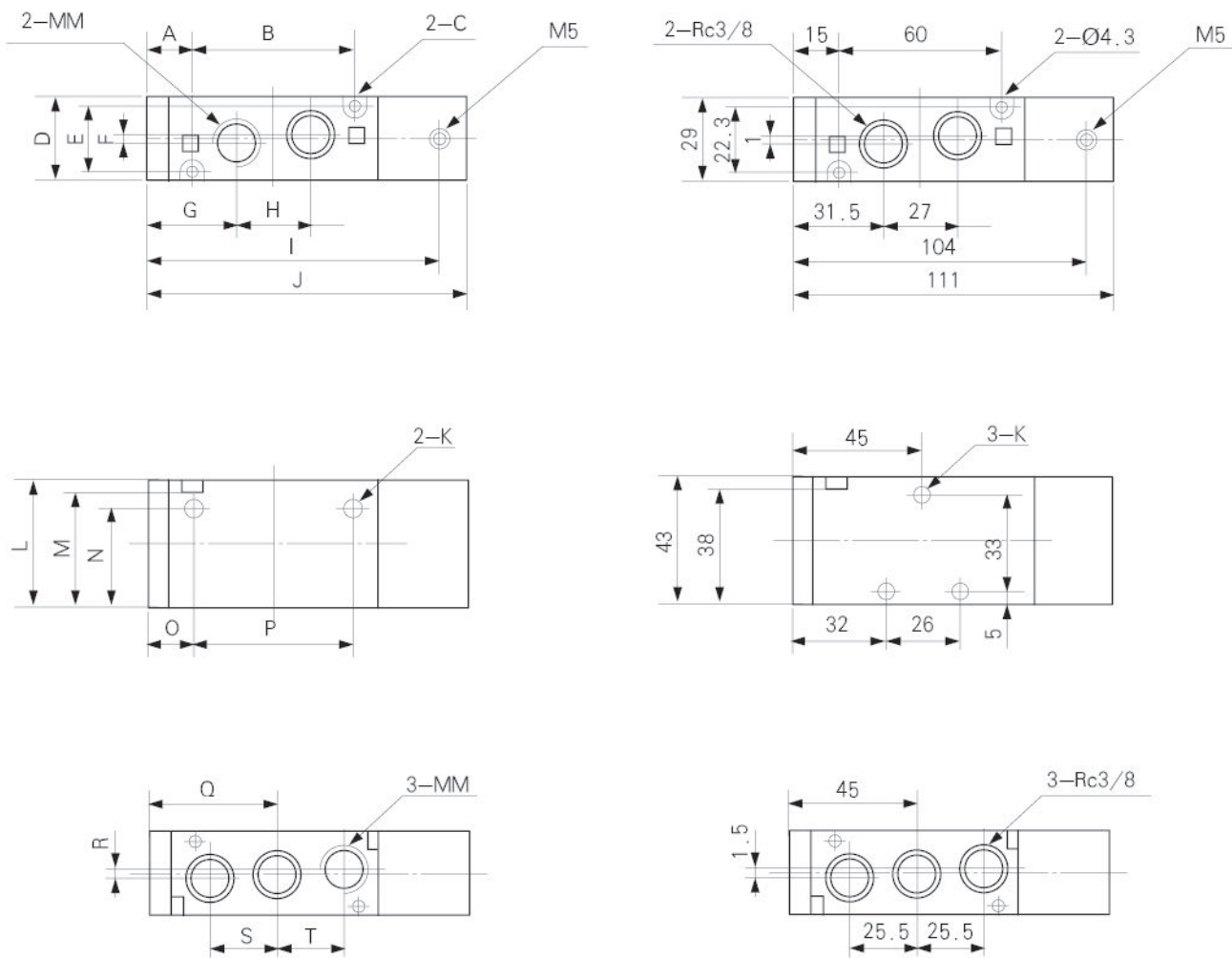
3K

3KQ-L

系列 不供油滑柱式电气换向阀 Series Oil Free Pneumatic / Electrical Directional Spool Valve

外形尺寸 Outlook & Dimension

3K25Q-L

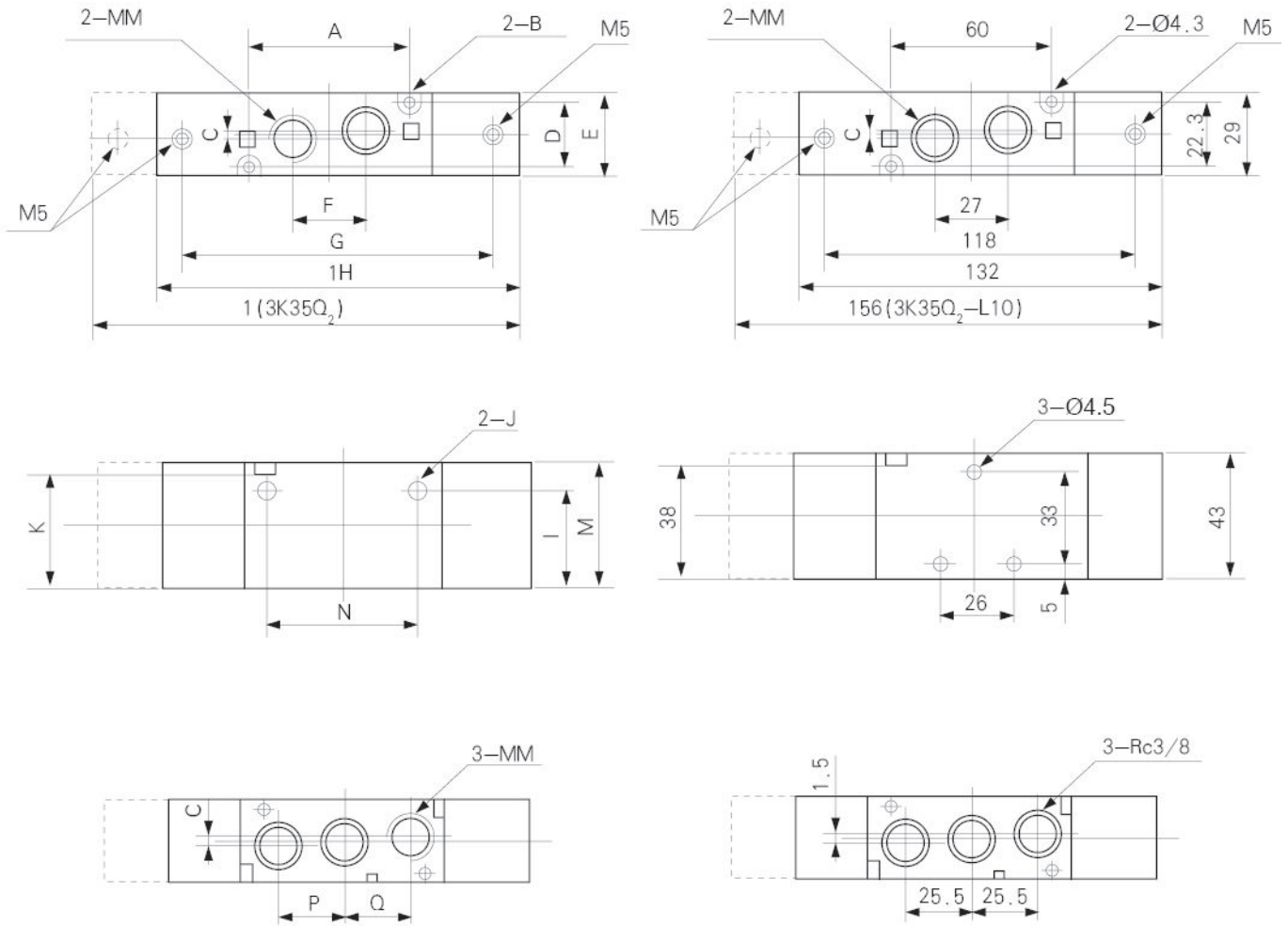


尺寸 Size 型号 Type	A	B	C	D	E	F	G	H	I	J	K	L	M	N	O	P	Q	R	S	T	MM
3K25Q-L4	11	19	Ø2.7	15	11	5	15.5	10	44.5	51.5	Ø3.2	23	20.3	3	15.3	10.5	20.5	0	10.5	10.5	M5
3K25Q-L6	11.5	34.5	Ø3.2	18	13	2.2	20	17	63.5	68.8	Ø3.2	28	25	21	11	35	28.5	2.2	13.5	13.5	Rc1/8
3K25Q-L8	12.5	45	Ø3.2	23	18	2	22.5	21	81	88	Ø4.5	36	32	27.5	13	44	35	1	18.5	18.5	Rc1/4
3K25Q-L10	尺寸见上图 Dimension in above drawing																				

不供油滑柱式电气换向阀系列
Oil Free Pneumatic / Electrical Directional Spool Valve Series

3K
3KQ-L

3K25Q₂-L 3K35Q₂-L 3K35Q₂-LP 3K35Q₂-LY



尺寸 Size	A	B	C	D	E	F	G	H	I	J	K	L	M	N	O	P	Q	MM
3K25Q ₂ -L4	19	Ø2.7	5	11	15	10	48	62	74.5	Ø3.2	20.3	3	23	10.5	0	10.5	10.5	M5
3K25Q ₂ -L6	34.5	Ø3.2	2.2	13	18	17	70	80.6	95.1	Ø3.2	25	21	28	35	2.2	13.5	13.5	Rc1/8
3K25Q ₂ -L8	45	Ø3.2	2	18	23	21	92	106	125	Ø4.5	32	27.5	36	44	1	18.5	18.5	Rc1/4
3K25Q ₂ -L10	尺寸见上图 Dimension in above drawing																	