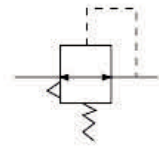


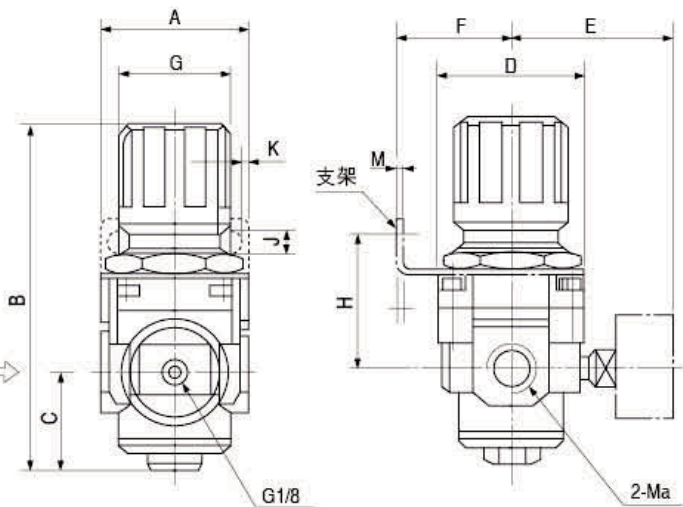
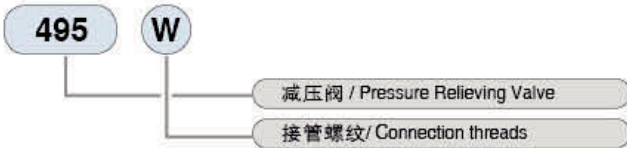
495 系列减压阀
series Pressure Relieving valve



图形符号 Graphical symbols



型号注释 Note for type



外形尺寸 Outlook & Dimension

型号 type	Ma	A	B	C	D	E	F	G	H	J	K	M
495.11	M5	25	71	7	25	26	-	-	-	-	-	-
495	G1/8 G1/4	40/48	128	11	40	57	30	27	22	5.4	8.4	2
495	G3/8 G1/2	70/78	173	18	70	60.5	70	54	26	8.5	10.5	3
495	G3/4 G1	95/107	274	24	95	75.5	70	66	35	11	11	3

技术参数 Specification

最大工作压力/Max working Pressure	1.0MPa
工作温度 / Working tempt	5~60°C
压力调节范围 / adjustable range of pressure	0.05~1.0MPa
输入/输出压力波动 input/output pressure fluctuation	输入压力波动0.2MPa时，输出压力波动不大于0.02MPa when input pressure change 0.2MPa, output pressure change less then 0.02MPa

流量 / Flow rate

m³/h (L/min)

接管螺纹 Connection threads		G1/8 ~ G1/4	G3/8 ~ G1/2	G3/4 ~ G1
口径 passage dia (mm)		6 ~ 8	10 ~ 15	20 ~ 25
输入压力 P1 Pressure input P1 (MPa)	输出压力 P2 Pressure output P2 (MPa)	当压降 $\Delta P=0.1\text{MPa}$ 时流量 / when pressure drop $\Delta P=0.1\text{MPa}$, flow rate		
1.0	0.1	20 (330)	55 (915)	110 (1830)
1.0	0.25	30 (500)	85 (1415)	150 (2500)
1.0	0.4	35 (580)	100 (1665)	185 (3080)
1.0	0.6	40 (665)	110 (1830)	220 (3665)
1.0	0.8	45 (750)	130 (2165)	260 (4330)
1.0	1.0	50(830)	150 (2500)	300 (5000)

减压阀的配接管直径小一号时，流量约减少10%。
With the connection to the valve one size smaller in diameter, flow rate reduces by approx 10%