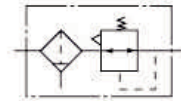


497 系列空气过滤减压阀  
series Air filter/pressure-relieving valves



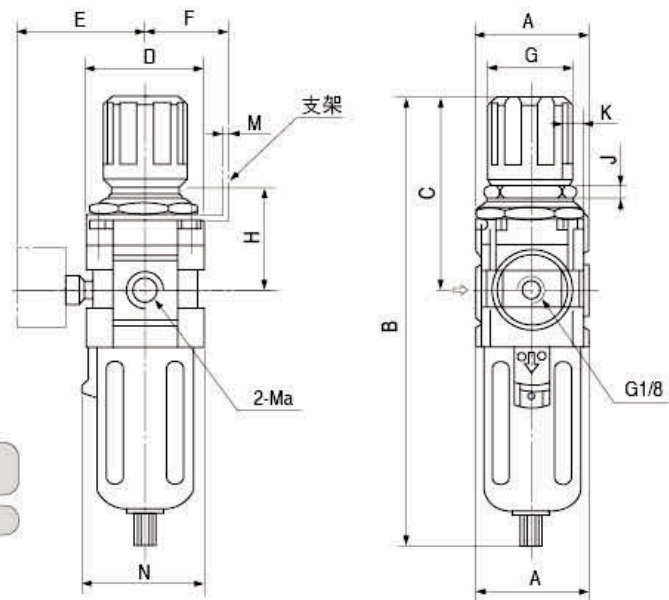
图形符号 Graphical symbols



型号注释 Note for type

497

空气过滤器减压阀组合件  
Combination of air filter and pressure relieving valve  
接管螺纹/Connection threads



外形尺寸 Outlook & Dimension

型号 type	Ma	A	B	C	D	E	F	G	H	J	K	L	M
497.11	M5	25	71	7	25	26	-	-	-	-	-	-	-
497	G1/8 G1/4	40/48	128	11	40	57	30	27	22	5.4	8.4	2	2
497	G3/8 G1/2	70/78	173	18	70	60.5	50	54	26	8.5	10.5	3	3
497	G3/4 G1	95/107	274	24	95	75.5	70	66	35	11	11	3	3

技术参数 Specification

最大工作压力/Max working Pressure	1.0MPa
工作温度 / Working tempt	5~60°C
压力调节范围 / adjustable range of pressure	0.05~1.0MPa
分水效率 / Moisture separation effectiveness	≥80%

流量 / Flow rate

m<sup>3</sup>/h (L/min)

接管螺纹 Connection threads	G1/8~G1/4	G3/8~G1/2	G3/4~G1
当过滤度为50~75μm, 压降ΔP=0.1MPa时流量 when filtering is 50~70μm, pressure drop ΔP=0.1MPa, flow rate	6~8	10~15	20~25
输入压力 Pressure input P1 (MPa)	输出压力 Pressure output P2 (MPa)		
1.0	0.1	15 (250)	37 (615)
1.0	0.25	25 (415)	75 (1250)
1.0	0.4	30 (500)	88 (1465)
1.0	0.6	35 (580)	100 (1665)
1.0	0.8	40 (665)	113 (1880)
			80 (1330)
			110 (1830)
			135 (2250)
			160 (2665)
			190 (2165)

# 过滤器的配管直径小一号时, 流量约减少10%; 滤芯微孔直径小一号时, 流量约减少7%。  
# With pipeline to the filter one size smaller in diameter, the flow rate reduces by approx 10%. with filter element pore dia one size smaller, flow rate reduces by 7%.