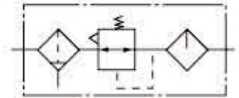


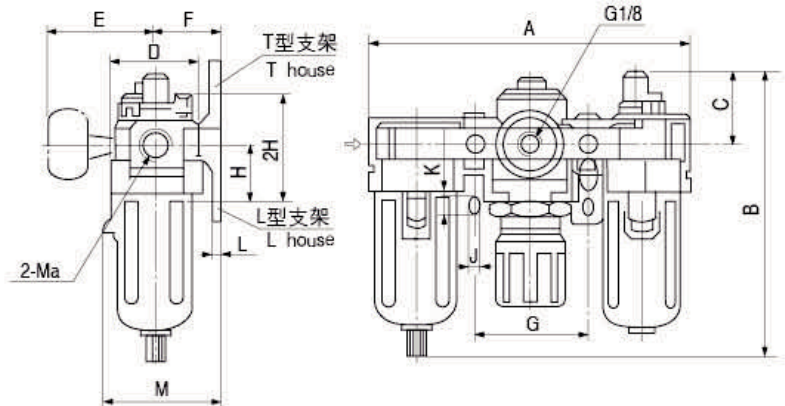
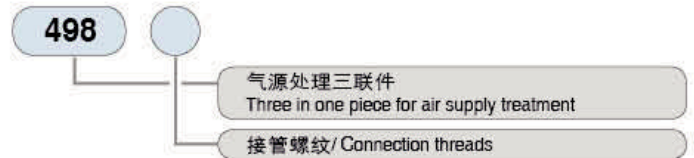
498 系列气源处理三联件 series Three-in-one piece for air supply treatment



图形符号 Graphical symbols



型号注释 Note for type



外形尺寸 Outlook & Dimension

型号 type	Ma	A	B	C	D	E	F	G	H	J	K	L	M
498.111	M5	91	90	26	25	26	25	33	20	5	8	5	38.5
498	G1/8 G1/4	120/128	155.5	38	40	57	30	50	24	5.5	8.5	5	50
498	G3/8 G1/2	226/238	201	41	70	60.5	50	84	40	9	13	7	88
498	G3/4 G1	315/327	295	48	95	75.5	70	110	50	12	16	10	117.5

技术参数 Specification

最大工作压力 / Max working Pressure	1.0MPa
工作温度 / Working tempt	5 ~ 60°C
压力调节范围 / adjustable range of pressure	0.05 ~ 1.0MPa
分水效率 / Moisture separation effectiveness	≥ 80%

流量 / Flow rate

m³/h (L/min)

接管螺纹 Connection threads		G1/8 ~ G1/4	G3/8 ~ G1/2	G3/4 ~ G1
当压降 $\Delta P=0.1\text{MPa}$ 时流量 when pressur drop $\Delta P=0.1\text{MPa}$, flow rate				
通径 passage dia (mm)		6 ~ 8	10 ~ 15	20 ~ 25
输入压力 Pressure input P1 (MPa)	输出压力 Pressure output P2 (MPa)			
1.0	0.1	15 (250)	38 (630)	95 (1580)
1.0	0.25	20 (333)	53 (880)	120 (2000)
1.0	0.4	25 (415)	64 (1065)	140 (2330)
1.0	0.6	30 (500)	75 (1250)	160 (2665)
1.0	0.8	33 (550)	88 (1465)	195 (3250)

三联件的配管直径小一号时，最大流量约减少10%；滤芯微孔直径小一号时，流量约减少7%。
With pipeline to the three-in-one piece one size smaller in diameter, the flow rate reduces by approx 10%, with filter element pore dia one size smaller, flow rate reduces by 7%.