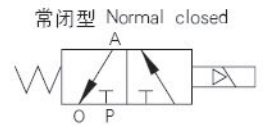


FCF-L8 系列二位三通电磁阀
Series 3/2-way solenoid valves



图形符号 Graphical symbols

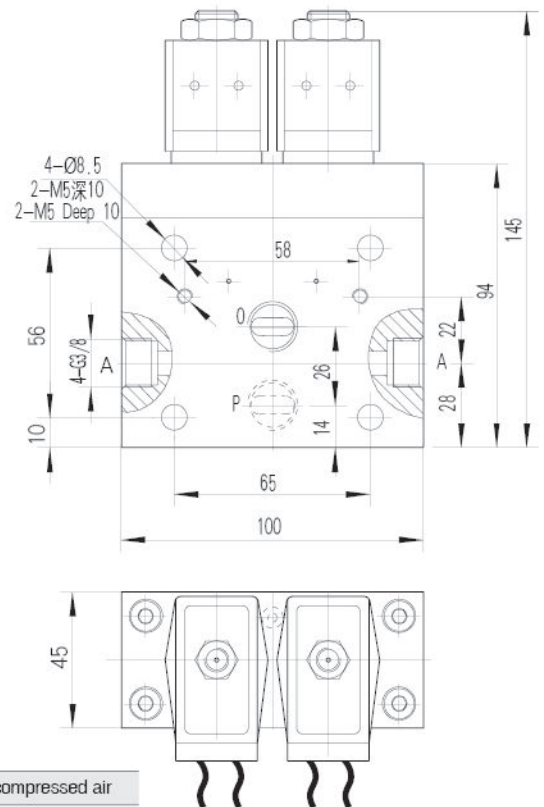


产品特点 Features

FCF-L8是二只二位三通截止式电磁换向阀并联在一起的换向阀。它共有一个进气口，一个排气口。它接受电信号作切换气路方向用，具有结构简单，动作可靠，对气源介质要求不高等特点。

FCF-L8 is a directional valve formed up by two tandem connected 2 position 3 way shut solenoid valves. It has one air inlet, and one air outlet, it functions to switch air direction at electrical signals. It features a simple structure, reliable action and low demand on medium quality.

型号注释 Note for type



外形尺寸 Outlook & Dimension

工作介质 Working medium	干燥洁净的压缩空气 Dry and clean compressed air
公称通径 Dia(mm)	Ø8
工作温度范围 Working tempt range(°C)	-40~+80(在不冻结条件下) (On condition of no freezing)
工作压力范围 Working pressure range(MPa)	0.2~1
换向时间 Direction diverting(sec)	≤0.04
最高切换频率 Max switch-over(Hz)	13
泄漏量 Leakage rate	0
有效截面积S值 Effective sectional area S value(mm ²)	20
额定流量 Flow rate(m ³ /h)	5
气路接口 Connection of air pipeline	ZG3/8, 或用户定 or up to user