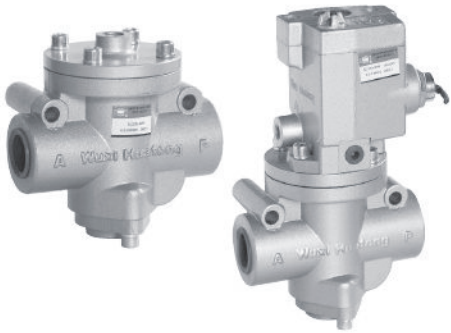


W 系列截止式换向阀

Series Directional Valves

K22J-W 系列截止式电磁阀

Series directional valves 2/2-way



图形符号 Graphical symbols

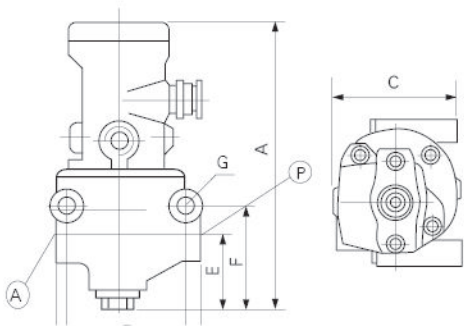


产品特点 Features

K22J-W系列是二位二通管接截止式换向阀。该阀结构合理，动作可靠，维修方便，尤其适用于较为恶劣的工作环境。分电控和气控两种。

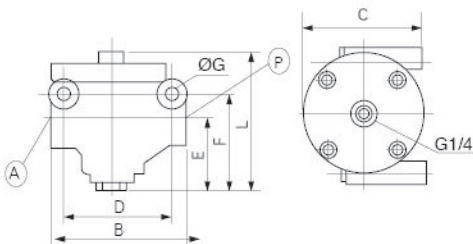
K22J-W series is pipe fitting shut-off directional valves 2/2 way. Streamlined structure, reliable action easy of maintenance, and especially suited to tough work conditions. Two types: electrically controlled and pneumatical controlled.

型号注释 Note for type



技术参数 Specification

型号 type	K22J-8W	K22J-10W	K22J-15W	K22J-20W	K22J-25W	K22J-32W	K22J-40W
流量 Flow rate(m³/h)	5	7	10	20	30	40	50
有效截面积S值 Effective sectional area(mm²)	20	35	60	120	190	300	400
泄漏量 Leakage rate(cm³/min)	≤50	≤100	≤200	≤300	≤400	≤500	≤600
换向时间 Direction diverting time(sec)	≤0.04	≤0.06	≤0.10	≤0.15	≤0.20	≤0.30	≤0.40
切换频率 Switch-over frequency Hz	≥10	≥8	≥4	≥3	≥2	≥1.5	≥1
工作压力 Working pressure(MPa)	0.2-0.8						
电压 Voltage(V)	AC:380,220,110,36; DC:220,110,24						
环境温度 Ambient temperature(°C)	-5-50						



外形尺寸 Outlook & Dimension

型号 Type	公称口径 Dia	接管螺纹 Port Size		A	B	C	D	E	F	G	L
		英制 G	公制 M								
K22J-8W	Ø8	G1/4	M12 × 1.25								
K22J-10W	Ø10	G3/8	M16 × 1.5	163	96	78	73	38	55	Ø9	84
K22J-15W	Ø15	G1/2	M20 × 1.5								
K22J-20W	Ø20	G3/4	M27 × 2	175	113	78	82	52	80	Ø9	96
K22J-25W	Ø25	G1	M33 × 2								
K22J-32W	Ø32	G1½	M42 × 2	240	165	91	118	75	112	Ø13	152
K22J-40W	Ø40	G1½	M48 × 2								