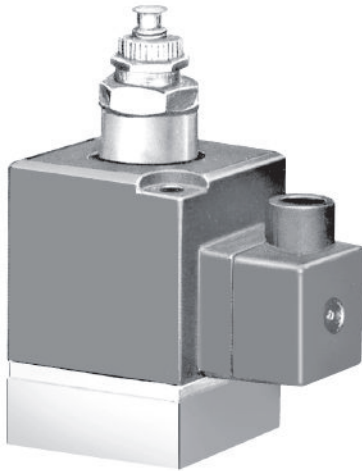


# K23D

## 系列二位三通微型电磁阀 Series 3/2-ways micro Solenoid Valves



### 图形符号 Graphical symbols

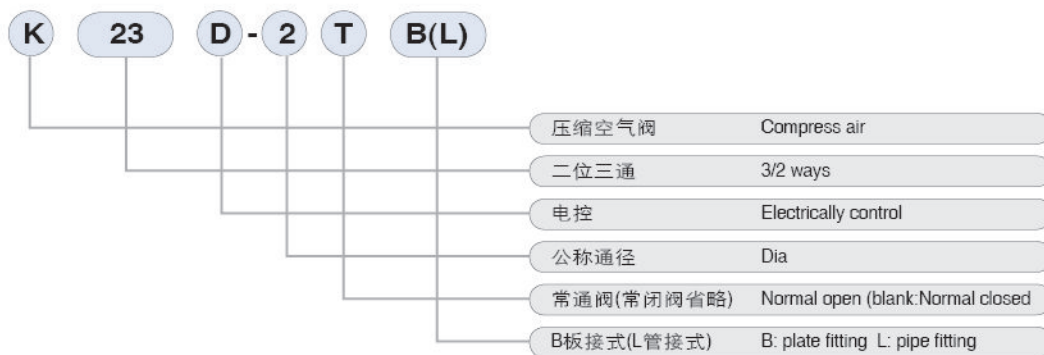


### 产品特点 Features

K23D系列微型电磁阀是气压传动系统中的基本元件。常作为大流量换向阀的先导控制。故亦称电磁先导阀。同时也可直接控制耗气量小的执行机构。

K23D series micro solenoid valves are the basic elements in pneumatic transmission system often used as the pilot control of big flow rate directional valves and that is why they are called solenoid pilot. They can also be used to control directly the execution mechanism with small air flow rate.

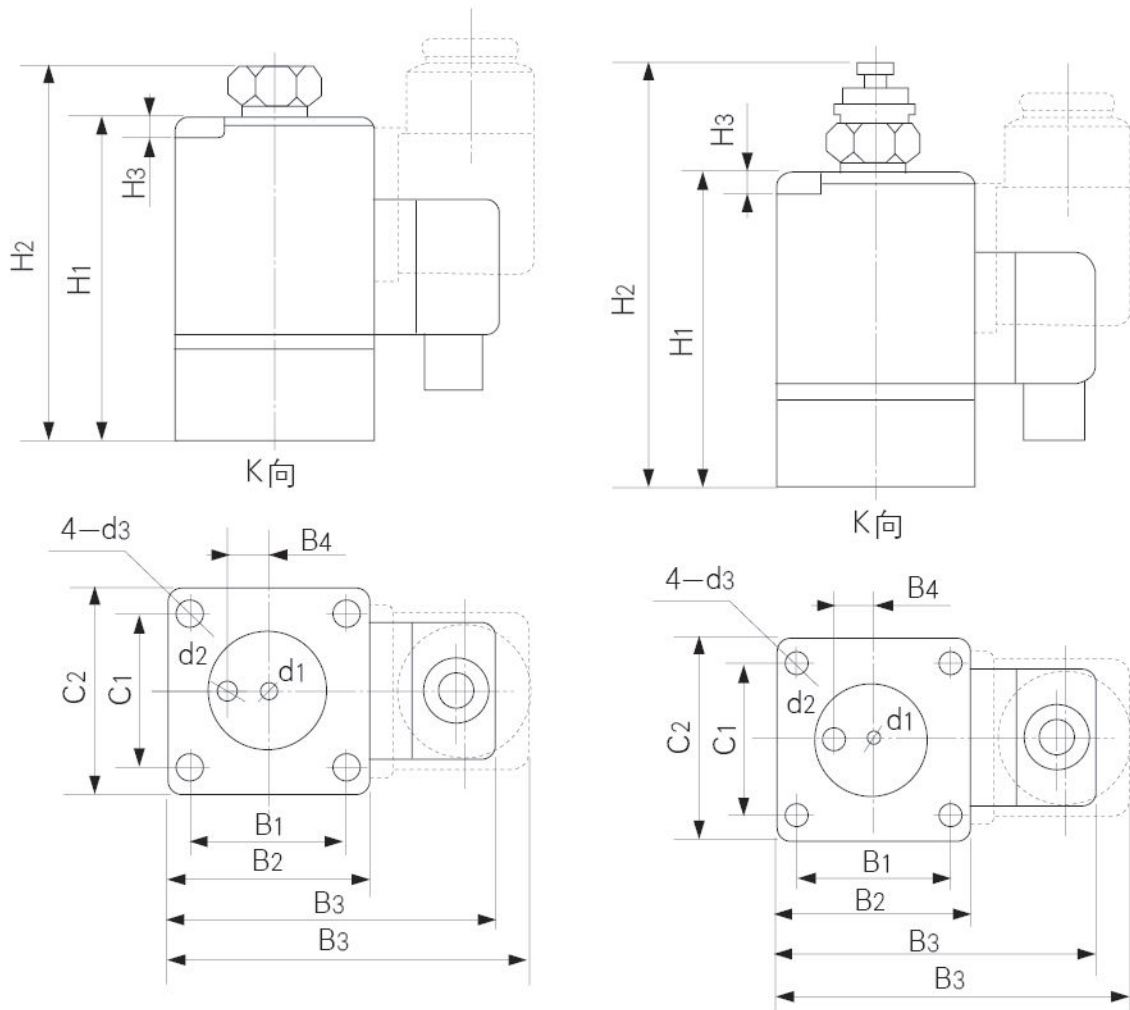
### 型号注释 Note for type



### 技术参数 Specification

公称通径 Dia(mm)	1.2	2	3
有效截面积S值 Effective sectional area S value(mm <sup>2</sup> )	0.8	2	4
工作压力 Working pressure(MPa)	0~0.8		
耐压 Pressure bearing(MPa)	1.2		
换向时间 Diverting time(sec)	≤0.03		
换向频率 Switch over frequency(Hz)	≥17		
泄漏量 Leakage rate(mL/min)	≤10		
寿命(万次) Working life(10K times)	>500		
电压 Voltage(V)	AC:380、220、110、36、24 DC:220、110、48、36、24、12		

外形尺寸 Outlook & Dimension



型号 Type	H1	H1(T)	H2	H2(T)	H3	C1	C2	B1	B2	B3	B4	D1	D2	D3
K23D-1.2-B	51	50	61.5	70	4	24	32	24	32	55	5.5	1.2	1.5	4
K23D-2-B	62	58	76	89	3.2	30	40	30	40	64	8	2	2.5	5
K23D-2-B	66	62	80	93		30	40	30	40	71	8	2	2.5	5
K23D-3-B	73	65	86	99	5	38	50	38	50	72.5	8	3	2.5	5
K23D-1.2-L	58	57	68.5	77	4	24	32	24	32	55	接管 螺纹 Size of part	M8 × 1		4
K23D-2-L	70	69	84	100	3.2	30	40	30	40	64		M10 × 1		
K23D-2-L	74	73	89	104		30	40	30	40	71				
K23D-3-L	79	73.5	92	107	5	38	50	38	50	72.5				