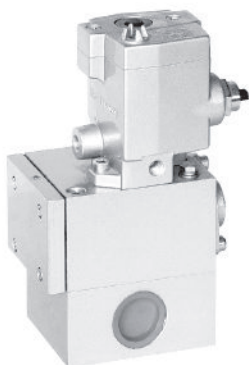


W

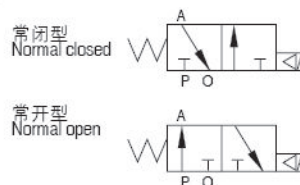
系列 截止式换向阀 Series Directional Valves

K23J-BW

K23J-BW 系列截止式电磁阀 series directional valves 3/2-way



图形符号 Graphical symbols



产品特点 Features

K23JD-BW系列是二位三通板接截止式换向阀。该阀结构合理，动作可靠，维修方便，尤其适用于较为恶劣的工作环境。分电控和气控两种。

K23JD-BW series is plate fitting shut-off directional valves 3/2 way. It streamlined structure, reliable action easy of maintenance, and especially suited to tough work conditions. Two types: electrically controlled and pneumatic controlled.

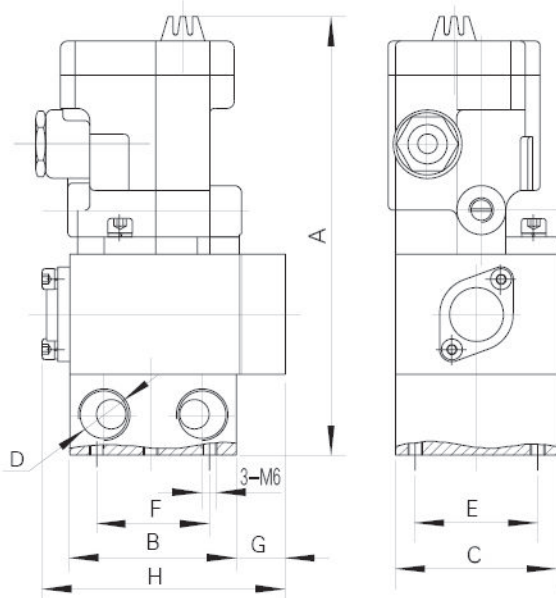
型号注释 Note for type



技术参数 Specification

技术指标 Specification	流通特性 flow (mm ²)	换向时间 Direction diverting time(s)	泄流量 leakage rate (ml/min)	工作压力 working pressure (MPa)
型号Type				
K23JD-8BW	20	≤ 0.04	≤ 50	0.2-0.8
K23JD-10BW	40	≤ 0.06	≤ 100	
K23JD-15BW	60		≤ 200	
K23JD-20BW	110	≤ 0.10	≤ 200	
K23JD-25BW	190		≤ 300	
K23JD-32BW	300	≤ 0.15	≤ 300	
K23JD-40BW	400			

外形尺寸 Outlook & Dimension



型号Type	公称口径 Dia	接管螺纹 Port Size(D)	A	B	C	E	F	G	L
K23J-8BW	Ø8	G1/4	179	66	90	50	46	20	99
K23J-10BW	Ø10	G3/8							
K23J-15BW	Ø15	G1/2							
K23J-20BW	Ø20	G3/4	203	78	117	70	60	22	127
K23J-25BW	Ø25	G1							
K23J-32BW	Ø32	G1¼	218	78	117	70	60	22	127
K23J-40BW	Ø40	G1½							