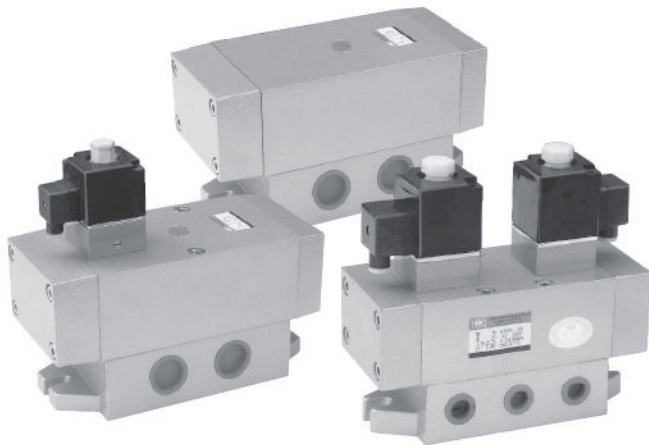


K/Q 系列滑柱式电磁阀

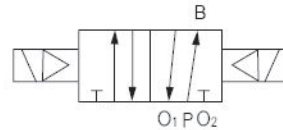
Series Spool Valve

K25 系列二位五通换向阀

Series directional valves 5/2-way



图形符号 Graphical symbols



产品特点 Features

二位五通滑阀供气装置中改变气流方向的基本元件。K25D系列是机械部联合设计产品，性能优越。

5/2-ways directional valve is the basic element of changing air flow directions in pneumatic system. K25D series are the result of joint design by the Ministry. There are characterized.

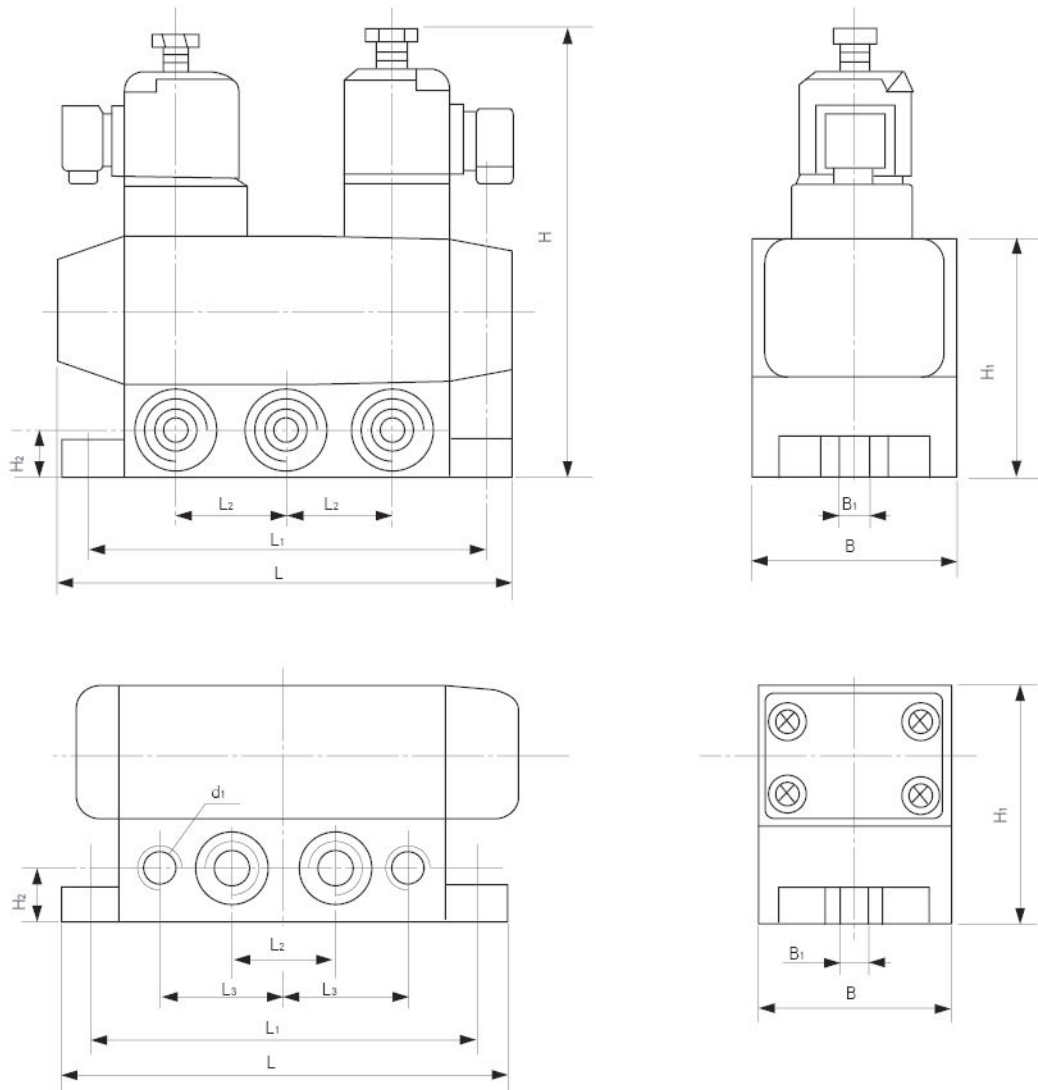
型号注释 Note for type



技术参数 Specification

参数 Item	公称口径 Dia (mm)	工作压力 Working pressure (MPa)	电源电压 Voltage (V)	换向时间 Direction diverting time (sec)	切换频率 Switch over frequency (Hz)	寿命(万次) Working life (10K times)	泄漏量 Leakage rate (mL/min)	环境温度 Temp ambient (°C)	公称流量 Flow rate (m³/h)	有效截面积S值 Effective sectional area S valve(mm²)
K25D(K)-6 K25D ₂ (K ₂)-6	6	0.15~0.8	DC24V DC12V AC220V AC110V AC36V	0.06	6	150	0.1	5~50	2.5	10
K25D(K)-8 K25D ₂ (K ₂)-8	8			0.06	6				5	20
K25D(K)-10 K25D ₂ (K ₂)-10	10			0.06	6				7	35
K25D(K)-15 K25D ₂ (K ₂)-15	15			0.12	2		10		60	
K25D(K)-20 K25D ₂ (K ₂)-20	20			0.12	2		20		120	
K25D(K)-25 K25D ₂ (K ₂)-25	25			0.12	2		30		190	

外形尺寸 Outlook & Dimension



型号 Type	接口螺纹 Port size(d)	d1	L	L1	L2	L3	B	B1	H	H1	H2
K25D(K)-6, K25D ₂ (K ₂)-6	G1/8 M10x1	M10x1	132	112	28	37	56	9	134	68	14
K25D(K)-8, K25D ₂ (K ₂)-8	G1/4 M12x1.25	M10x1	132	112	28	37	56	9	134	68	14
K25D(K)-10, K25D ₂ (K ₂)-10	G3/8 M16x1.5	M10x1	169	146	38	49	74	9	162	90	19
K25D(K)-15, K25D ₂ (K ₂)-15	G1/2 M20x1.5	M10x1	169	146	38	49	74	9	162	90	19
K25D(K)-20, K25D ₂ (K ₂)-20	G3/4 M27x2	M10x1	251	204	60	70	112	12	206	129	30
K25D(K)-25, K25D ₂ (K ₂)-25	G1 M33x2	M10x1	251	204	60	70	112	12	206	129	30