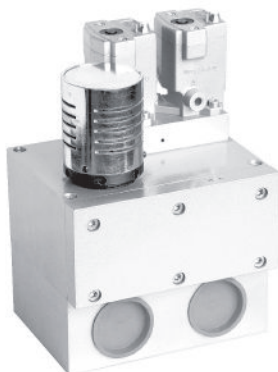


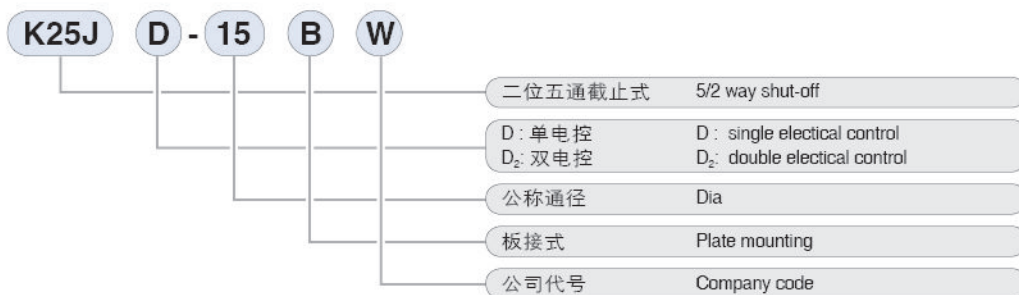
W**系列 截止式换向阀**
Series Directional Valves**K25J-BW****K25J-BW 系列截止式电磁阀**
series directional valves 5/2-way**图形符号 Graphical symbols****产品特点 Features**

K25JD-BW系列是二位五通板接截止式换向阀。该阀结构合理，动作可靠，维修方便，尤其适用于较为恶劣的工作环境。分电控和气控两种。

K25JD-BW series is plate fitting shut-off directional valves 5/2 way. It streamlined structure, reliable action easy of maintenance, and especially suited to tough work conditions. Two types: electrically controlled and pneumatic controlled.

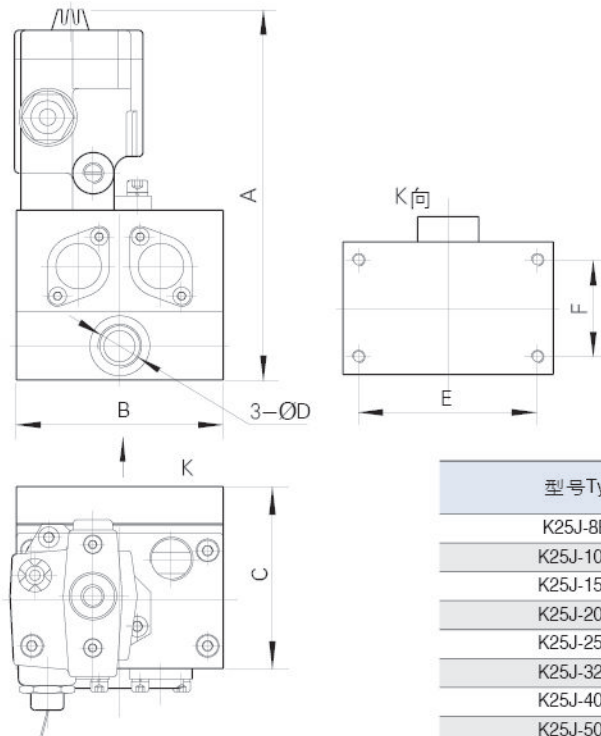
技术参数 Specification

技术指标 Specification	流通特性 flow (mm ²)	换向时间 Direction diverting time(s)	泄流量 leakage rate (ml/min)	工作压力 working pressure (MPa)
型号 Type				
K25JD-8BW, K25JD-8BW	20	≤0.04	≤50	0.2-0.8
K25JD-10BW, K25JD-10BW	40	≤0.06	≤100	
K25JD-15BW, K25JD-15BW	60	≤0.10	≤200	
K25JD-20BW, K25JD-20BW	110			
K25JD-25BW, K25JD-25BW	190	≤0.15	≤300	
K25JD-32BW, K25JD-32BW	300			
K25JD-40BW, K25JD-40BW	400	≤0.20		
K25JD-50BW, K25JD-50BW	650			

型号注释 Note for type

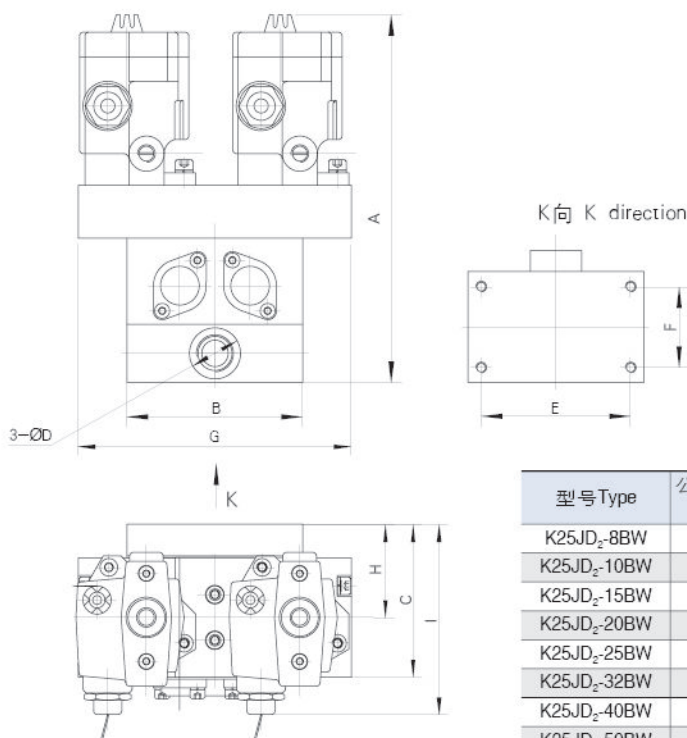
外形尺寸 Outlook & Dimension

K25JD-BW



型号Type	公称通径 Dia	接管螺纹 Port Size(D)	A	B	C	E	F
K25J-8BW	Ø8	G1/4	179	100	90	85	46
K25J-10BW	Ø10	G3/8					
K25J-15BW	Ø15	G1/2					
K25J-20BW	Ø20	G3/4	203	140	117	122	70
K25J-25BW	Ø25	G1	218	140	117	122	70
K25J-32BW	Ø32	G1¼					
K25J-40BW	Ø40	G1½					
K25J-50BW	Ø50	G2	273	220	170	198	128

K25JD₂-BW



型号Type	公称通径 Dia	接管螺纹 Port Size(D)	A	B	C	E	F	G	H	I
K25JD ₂ -8BW	Ø8	G1/4	179	100	90	85	46	155	56	103
K25JD ₂ -10BW	Ø10	G3/8								
K25JD ₂ -15BW	Ø15	G1/2								
K25JD ₂ -20BW	Ø20	G3/4	203	140	117	122	70	155	67	124
K25JD ₂ -25BW	Ø25	G1	218	140	117	122	70	155	67	124
K25JD ₂ -32BW	Ø32	G1¼								
K25JD ₂ -40BW	Ø40	G1½								
K25JD ₂ -50BW	Ø50	G2	300	220	170	198	128	220	126	202