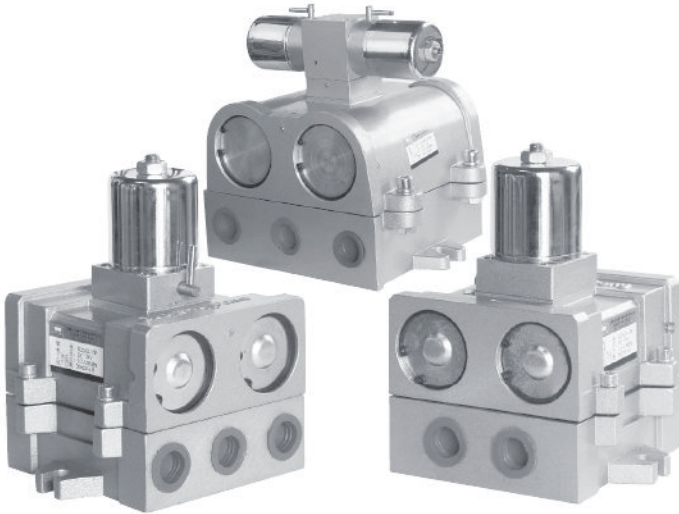


KJ

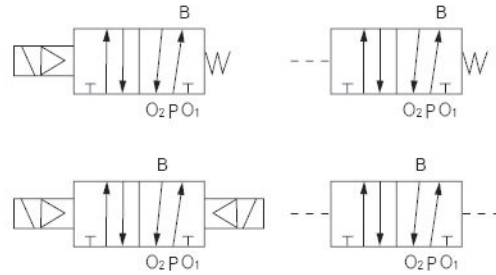
K25J

系列 截止式换向阀
Series Directional Valves

K25J 系列二位五通换向阀 series 5/2-ways directional valves



图形符号 Graphical symbols



产品特点 Features

K25J系列二位五通截止式换向阀，是一机部换向阀联合设计产品，具有结构合理，动作可靠。

K25J series 5/2-ways directional valve is a product jointly designed by first ministry of machinery have streamlined structure and reliable actions.

型号注释 Note for type

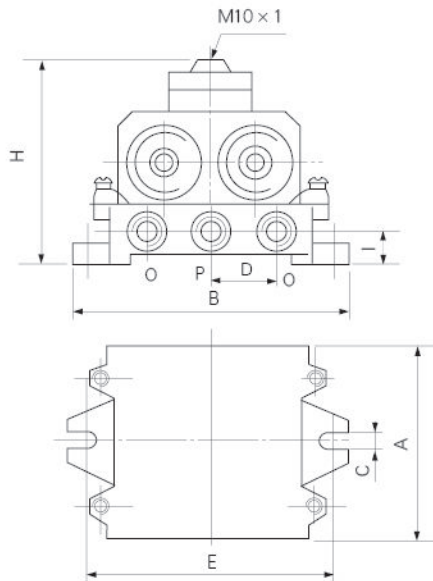


技术参数 Specification

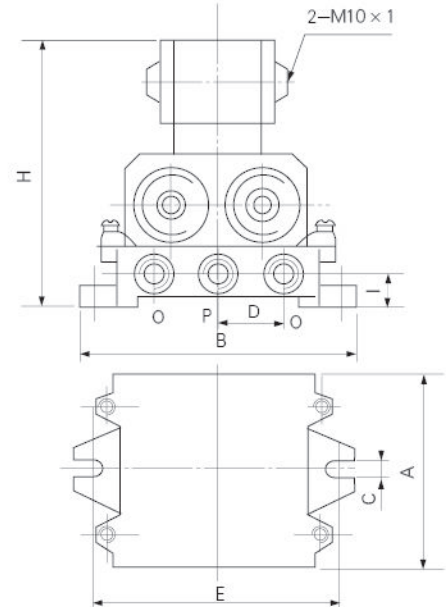
公称通径Dia	Ø6	Ø8	Ø10	Ø15	Ø20	Ø25
介质温度和环境温度Tempt ambient/medium(°C)	-5~50					
工作压力范围Working pressure range(MPa)	0.2~0.8					
泄漏量Leakage rate(mL/min)	50		100		200	
换向时间Direction diverting time(sec)	≤ 0.04		≤ 0.06		≤ 0.10	
最高切换频率Max swith-over frequency(Hz)	≥ 10		≥ 8		≥ 4	
有效截面积S值Effective sectional area S valve(mm ²)	10	20	35	60	120	190
额定流量Flow(m ³ /h)	2.5	5	7	10	20	30
工作电压Voltage(v)	AC380,220,110,36V DC:220,110,24					

外形尺寸 Outlook & Dimension

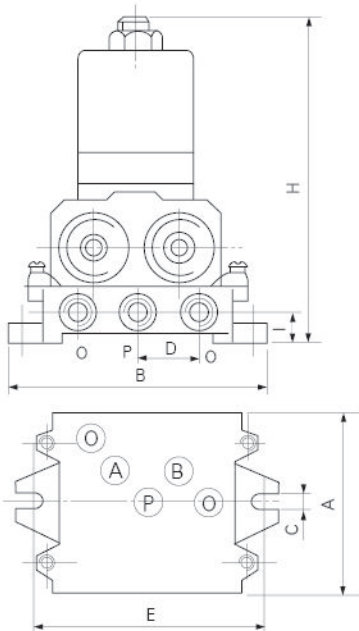
K25JK



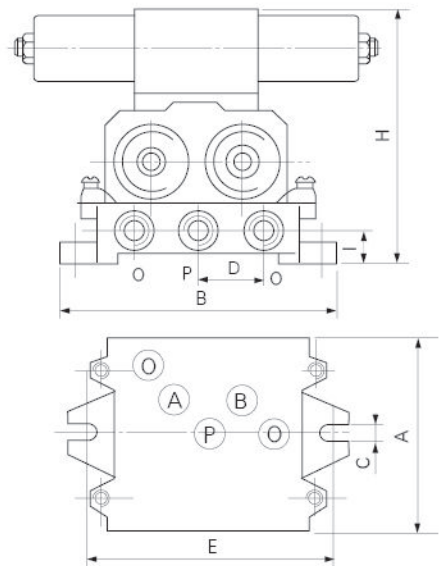
K25JK₂



K25JD



K25JD₂



型号Type	H	A	B	C	D	E	I	O
K25JD-6(8), K25JD ₂ -6(8)	<141	75	102	7	28	90	14	M10x1
K25JK-6(8), K25JK ₂ -6(8)								M12x1.25
K25JD-10(15), K25JD ₂ -10(15)	<155	108	138	10	38	120	20	M16x1.5
K25JK-10(15), K25JK ₂ -10(15)								M20x1.5
K25JD-20(25), K25JD ₂ -20(25)	<207	160	208	13	60	180	30	M27x2
K25JK-20(25), K25JK ₂ -20(25)								M33x2