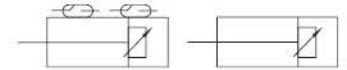


QGSE 系列(意)标准气缸

Series (Italy) Standard Cylinder



图形符号 Graphical symbols

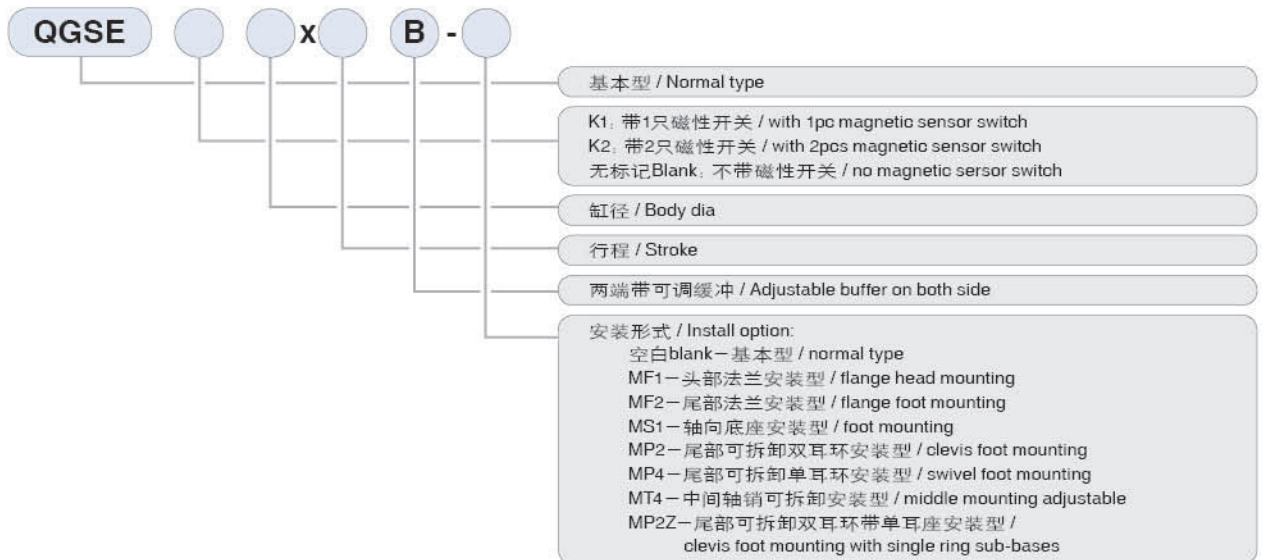


产品特点 Features

QGSE系列气缸是欧洲型轻型气缸，结构紧凑，安装形式和尺寸符合ISO6431国际标准，具有工作可靠，耐久性好，互换性强的特点。

QGSE series light cylinder are european styled light cylinder, featuring a compact structure with an installation mode and dimensions in conformity with ISO6431 standards. It also features reliable performance, durability and high inter-changeability.

型号注释 Note for type



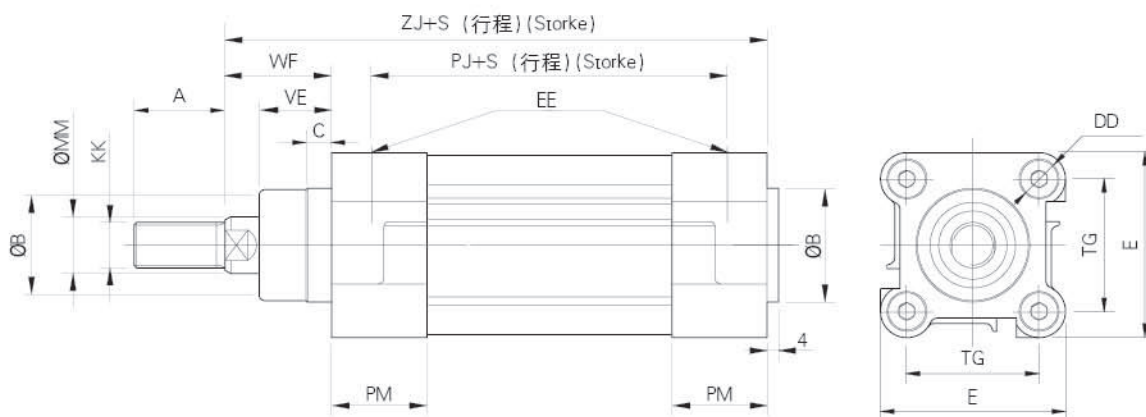
技术参数 Specification

工作介质 Working medium	干燥洁净含油雾的压缩空气 Dry and clean compressed air containy oil mist
工作压力范围 Working pressure rang	ø32 100; 0.15 1MPa
工作温度范围 Working tempt rang	5 60°C
活塞运动速度范围 Speed of piston	50 500mm/s

QGSE 系列 (意)标准气缸 Series (Italy) Standard Cylinder

外形尺寸 Outlook & Dimension

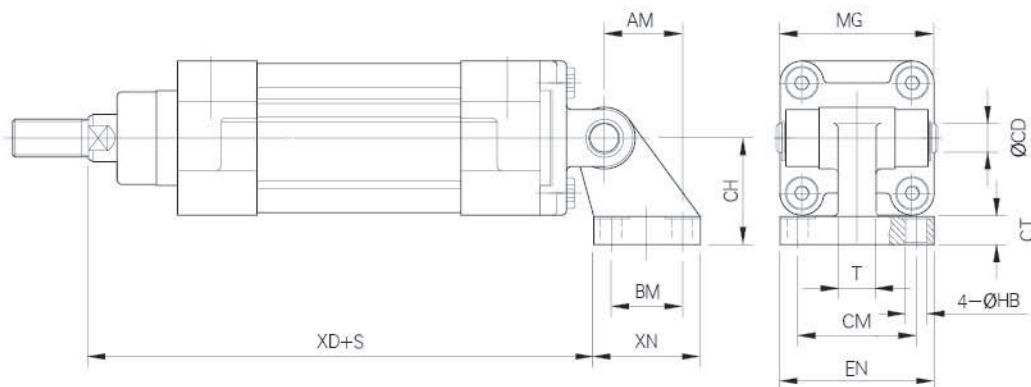
基本型 / Normal Type



气缸内径 Dia	A	B	DD	E	EE	C	KK	MM	PJ	PM	TG	VE	WF	ZJ	缓冲行程 Buffer stroke
Ø32	22	30	M6	48	G1/8	9	M10x1.25	12	84	30.3	32.5	18.5	26.5	137.5	20
Ø40	24	35	M6	54	G1/4	9	M12x1.25	16	96	33	38	22	30	154	23
Ø50	32	40	M8	65	G1/4	9	M16x1.5	20	97	33.7	46.5	25.5	37.5	162.5	25
Ø63	32	45	M8	75.2	G3/8	9	M16x1.5	20	107	38	56.5	25	37	176	25
Ø80	40	45	M10	94	G3/8	9	M20x1.5	25	119.5	40	72	35	46	197.5	30
Ø100	40	55	M10	111	G1/2	9	M20x1.5	25	122.5	43.5	89	38	51	209.5	30

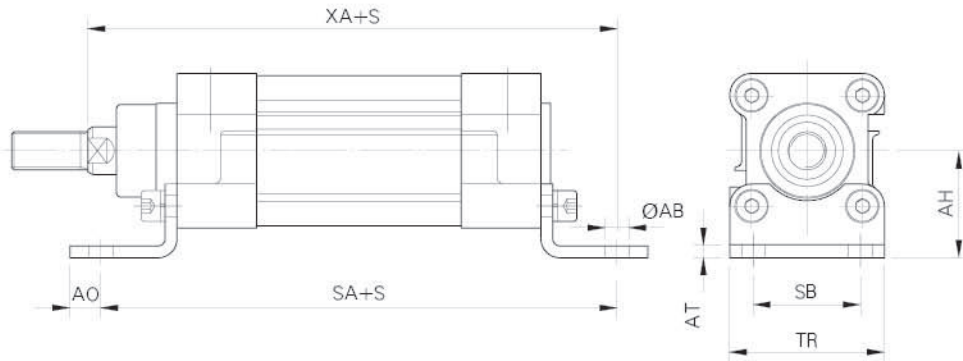
安装形式及辅件 Install Option and Accessory

MP2Z-尾部双耳环带单耳座安装型 / MP2Z-clevis foot mounting with single ring sub-bases

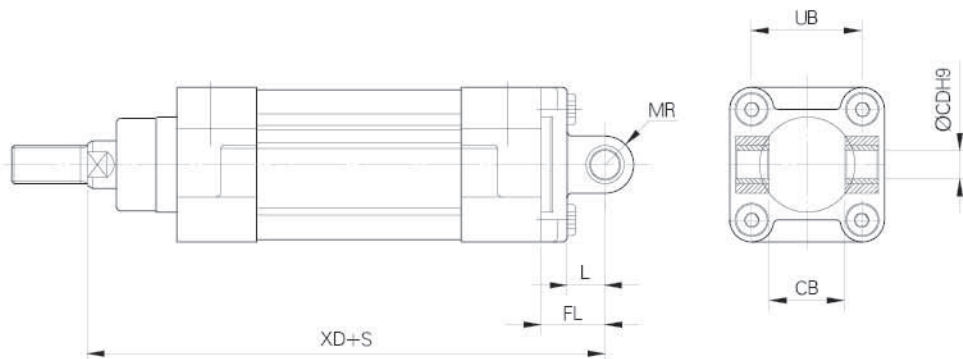


气缸内径 Dia	AM	BM	CH	CM	HB	CT	MG	XN	EN	CD	T	XD
Ø32	21	18	32	38	7	8	53	31	51	10	10	159.5
Ø40	24	22	36	41	7	10	60	35	54	12	15	179
Ø50	33	30	45	50	9	12	68	45	65	12	16	189.5
Ø63	37	35	50	52	9	12	78	50	67	16	16	208
Ø80	47	40	63	66	11	14	98	60	86	16	20	233.5
Ø100	55	50	71	76	11	17	118	70	96	20	20	250.5

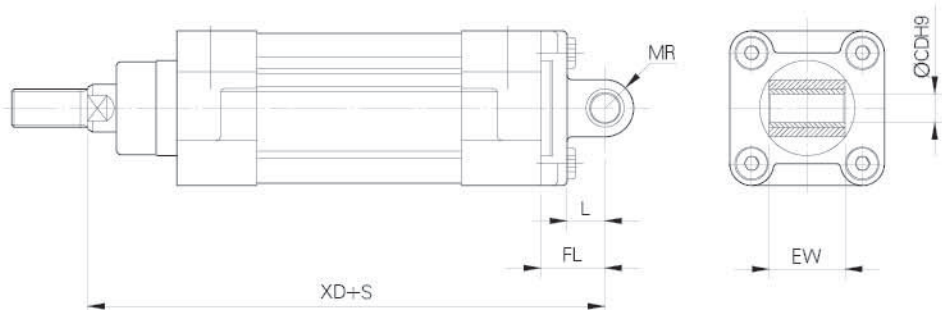
MS1-轴向底座安装型 / MS1-foot mounting



MP2-尾部双耳环安装型 / MP2-clevis foot mounting



MP4-尾部单耳环安装型 / MP4-swivel foot mounting



气缸内径 Dia	AB	SB	TR	AH	AO	AT	CB	EW	CD	FL	L	MR	SA	UB	XA	XD
Ø32	7	32	48	32	6.5	3.5	26	26	10	22	13	10	159	45	161.5	159.5
Ø40	10	36	54	35	9	3.5	28	28	12	25	16	12	180	52	182	179
Ø50	10	45	65	45	13	5	32	32	12	27	16	12	189.5	60	194.5	189.5
Ø63	10	50	75	50	13	5	40	40	16	32	21	16	203	70	208	208
Ø80	12	63	94	63	14	6	50	50	16	36	22	16	233.5	90	238.5	233.5
Ø100	14	75	111	71	16	6	60	60	20	41	27	20	240.5	110	250.5	250.5