

QSL/QTY/QIU

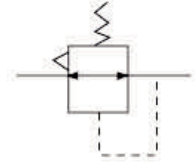
系列 气源处理元件
Series Air Filter Combination

QTY

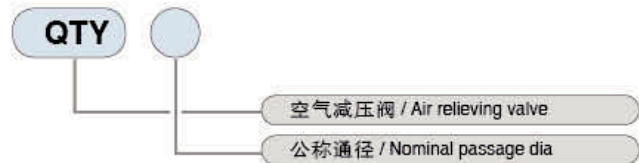
QTY系列空气减压阀 series air relieving valve



图形符号 Graphical symbols

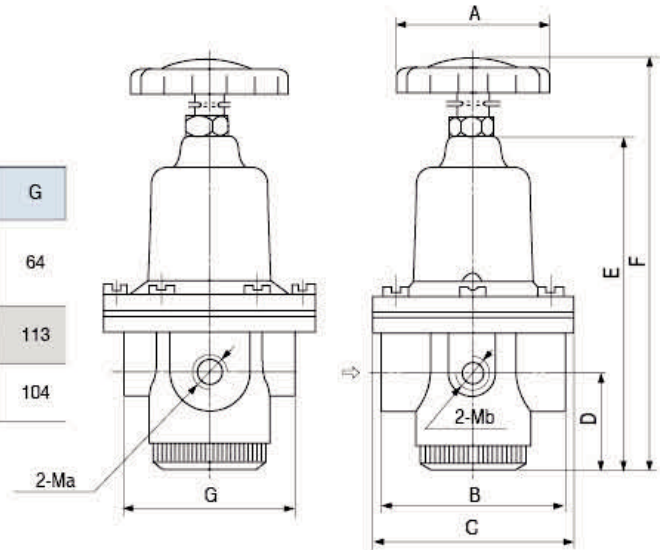


型号注释 Note for type



外形尺寸 Outlook & Dimension

| 型号 type | Ma | Mb | A | B | C | D | E | F | G |
|------------|------|---------|------|-----|-----|-----|-----|-----|----|
| QTY-8 | G1/4 | M10 × 1 | Ø60 | 74 | Ø80 | 36 | 122 | 180 | 64 |
| QTY-10 | G3/8 | | | | | | | | |
| QTY-15 | G1/2 | | | | | | | | |
| QTY-20 | G3/4 | Ø90 | Ø120 | 109 | 48 | 187 | 250 | 113 | |
| QTY-25 | G1 | | | 136 | | | | | |
| QTY-40 | G1½ | | | | | | | | |
| QTY-50 | G2 | | | | 69 | 218 | 280 | 104 | |



技术参数 Specification

| 型号 type | 公称口径 Nominal Passage dia | 接管 Take-over | 最高工作压力 Max. working pressure | 调节范围 adjustable range (MPa) |
|------------|-----------------------------|-----------------|---------------------------------|--------------------------------|
| QTY-8 | 8 | G1/4 | 1.00 | 0.05~1 |
| QTY-10 | 10 | G3/8 | | |
| QTY-15 | 15 | G1/2 | | |
| QTY-20 | 20 | G3/4 | | |
| QTY-25 | 25 | G1 | | |
| QTY-40 | 40 | G1½ | 0.80 | |
| QTY-50 | 50 | G2 | | |